



GENUINE PARTS

SATELLITE RADIO INSTALLATION INSTRUCTIONS

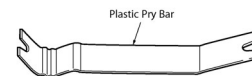
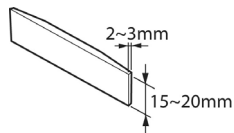
1. DESCRIPTION:	Satellite Radio System	
2. APPLICATION:	Frontier (2006~) Xterra (2006~)	
3. PART NUMBERS:	XM Tuner Kit	999U9-AS003
	SIRIUS Tuner Kit	999U9-AS004
	XM Under Glass Antenna Kit	999U9-VS002
	SIRIUS Under Glass Antenna Kit	999U9-VS003
	Tuner Brackets	999U9-VS005

4. KIT CONTENTS:

Item	Qty	Description	Parts View
1	1	Tuner	
2	2	Black Tape	
3	1	Velcro Tape (hook)	
4	1	Velcro Tape (loop)	
5	1	Spacer	
6	4	M5 Screw	
7	14	Sponge Tape	
8	1	Edge Protector	
9	6	Clear Tape	
10	1	Corrugated Tube	
11	6	Cable Tie	
12	2	Butyl Gum	
13	4	Cable Clamp	

5. TOOLS REQUIRED:

- | | | |
|---------------------------------|--|--|
| 1. Philips screw driver (#2) | 6. 3/8 in. driver w/7mm, 10mm normal & 12mm deep sockets | 8. 3/8 in. 3 in. and 6 in. socket extensions |
| 2. Masking tape | 7. PGF stick for antenna cable routing | 9. Plastic Pry Bar (P/N J-46534 or equivalent) |
| 3. Clip remover | | |
| 4. 50/50-alcohol/water solution | | |
| 5. Electrical tape | | |



SATELLITE RADIO INSTALLATION INSTRUCTIONS

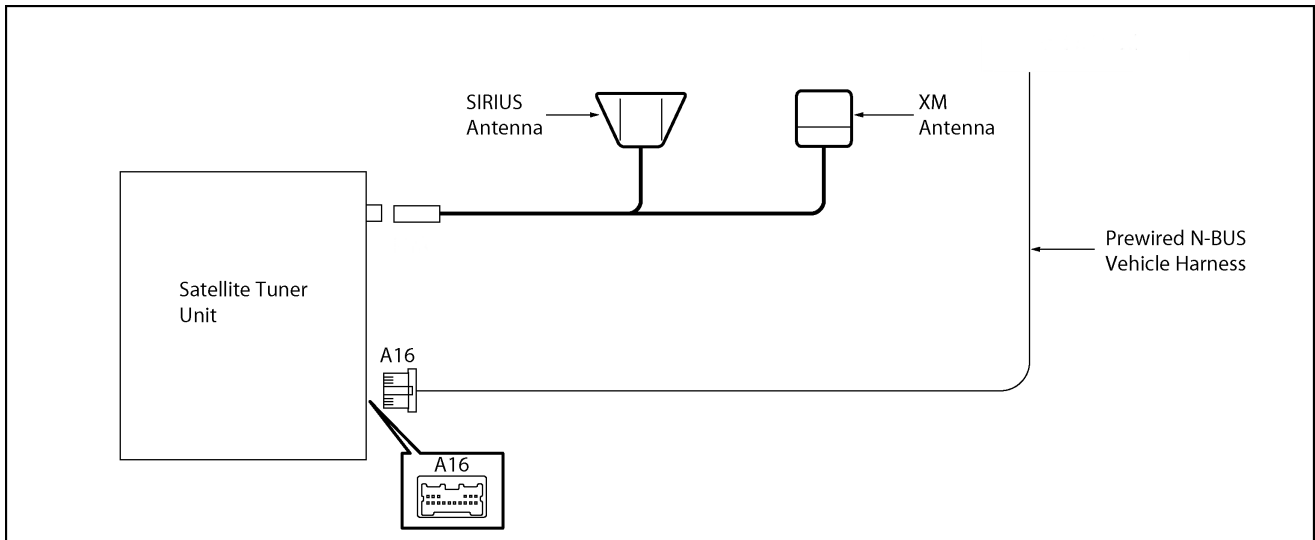
6. INSTALLATION PRECAUTIONS / NOTES:



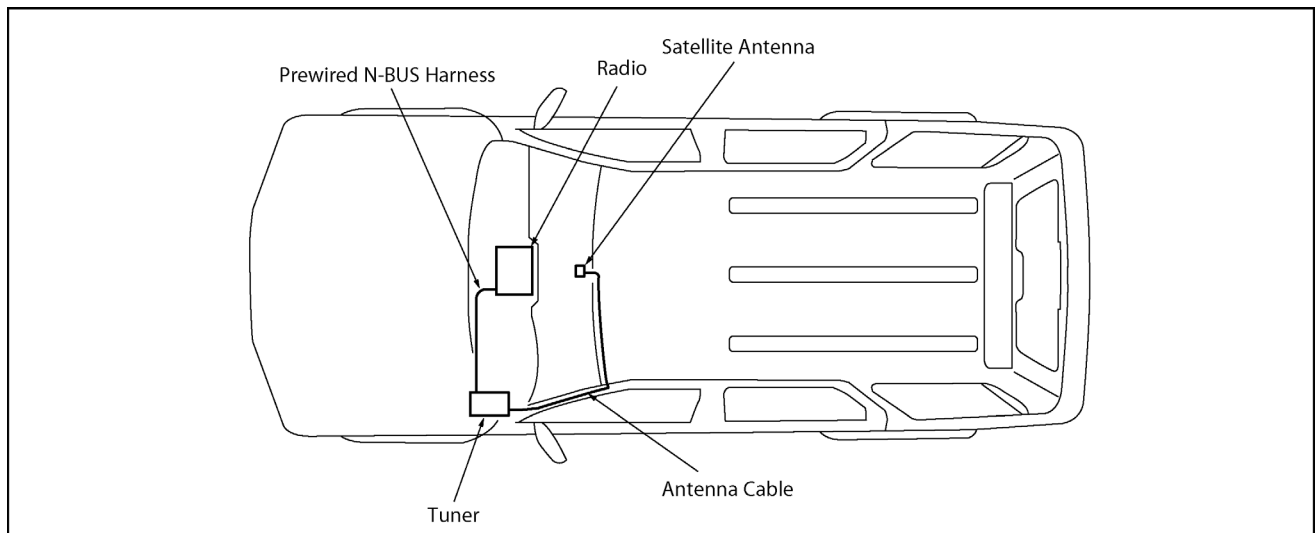
CAUTION

- This can be a difficult and time-consuming installation that may require the skill of the master technician who is familiar with electronics installation. Contact your regional DTS for additional information on installation support.
- The tuner unit and antenna must all be the same brand, XM or SIRIUS.
- This is a universal installation kit so all parts may not be used.
- Re-installation of the satellite radio antenna should be performed by an authorized dealer only.
- In the case of ambient temperatures below 20°C (68°F), it is required to warm the tape and mounting surface with a heater to minimum of 20°C (68°F).
- In the event the satellite radio antenna needs to be replaced, order the appropriate Satellite Antenna and the Satellite Radio Base Install Kit (999U9-AS002-S1).

7. STANDARD CONNECTION METHOD:



8. INSTALLATION OUTLINE:



SATELLITE RADIO INSTALLATION INSTRUCTIONS

9. VEHICLE PREPARATION:

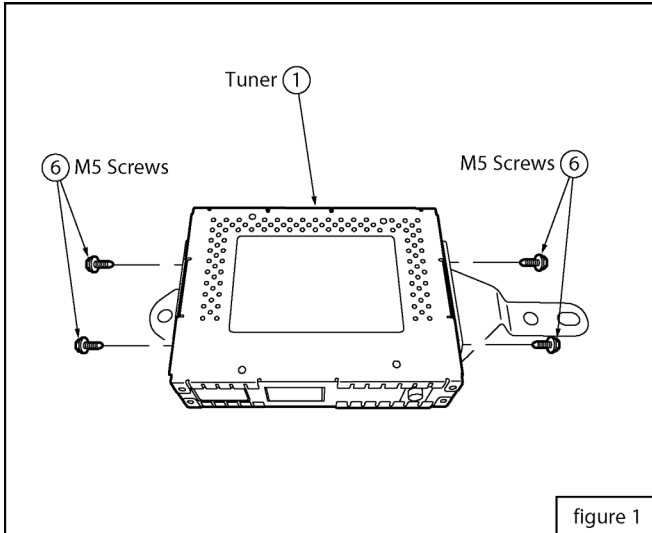
- 1) Apply the parking brake.
- 2) Record the customer radio presets.

	1	2	3	4	5	6	7
AM							
AM2							
FM1							
FM2							
FM3							

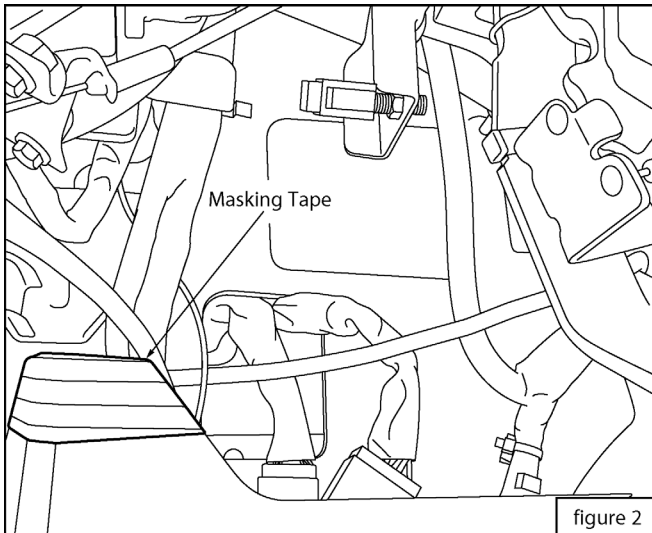
ESN number (located on tuner box)

- 3) Make sure the shift lever is engaged in the P position.
- 4) If equipped, move the accelerator and brake pedals to the front most position.
- 5) Turn the ignition switch OFF.
- 6) Open the engine hood.
- 7) Disconnect the battery negative terminal to prevent short circuits during installation.

10. TUNER INSTALLATION:



- 1) Attach the two tuner brackets to the tuner using four M5 screws as shown (figure 1).

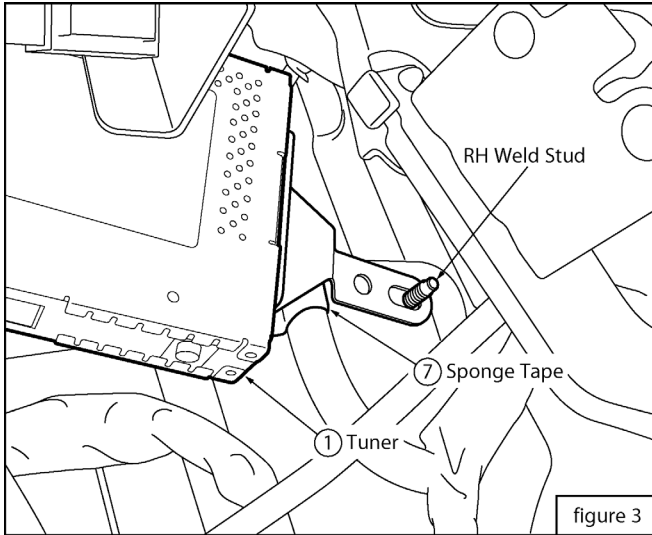


- 2) Apply masking tape to the driver side kick finisher under the tuner mounting location as shown (figure 2).

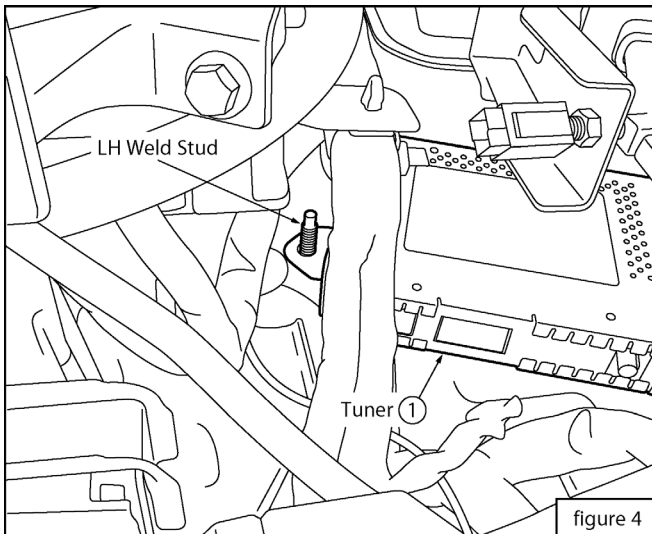
SATELLITE RADIO INSTALLATION INSTRUCTIONS

NOTE

- Care should be taken to ensure other wiring in the area is undisturbed.

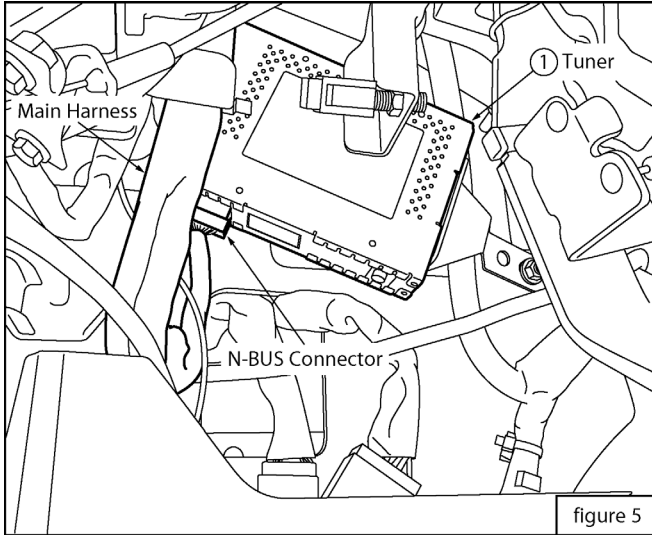


- 3) Mount the tuner assembly in location above the driver side kick panel as shown (figure 3).
 - a) Attach sponge tape between the harness and the RH mounting bracket as shown (figure 3).



- 4) Use the 12mm deep socket to tighten both brackets with the M8 nuts and torque to 12.7Nm (9.3 lb-ft) as shown (figures 3 and 4).

SATELLITE RADIO INSTALLATION INSTRUCTIONS

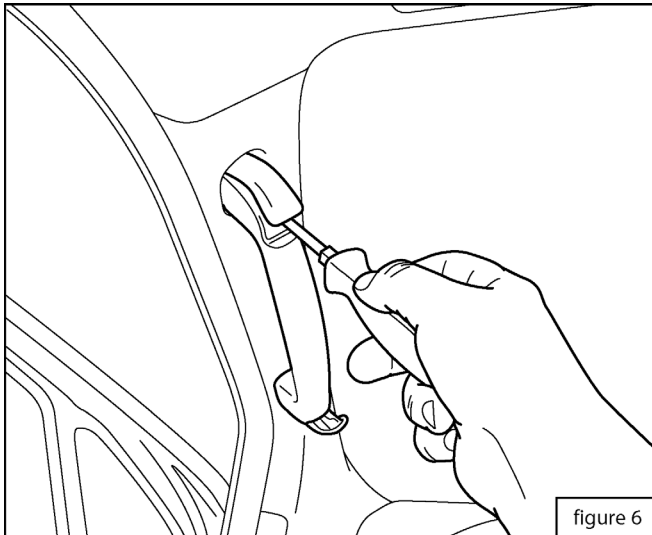


- 5) Remove the tear tape holding the prewired N-BUS harness.
 - a) Connect the N-BUS to the tuner as shown (figure 5).
 - b) Remove masking tape from driver side kick finisher.

11. ANTENNA INSTALLATION:

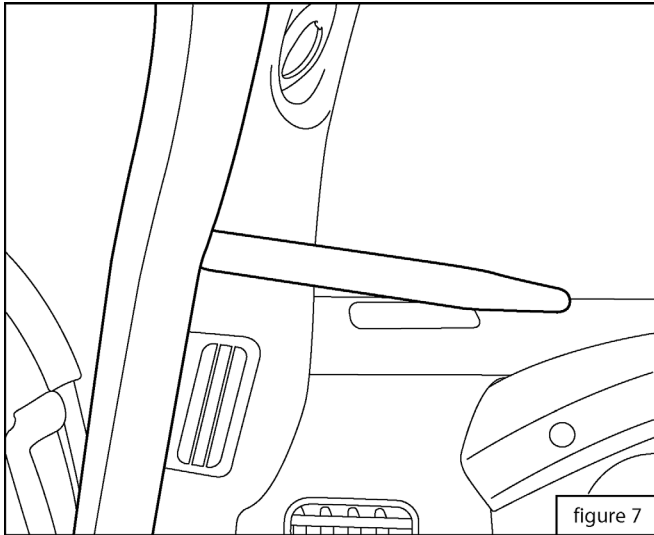
CAUTION

- Do not tear the weather strip.

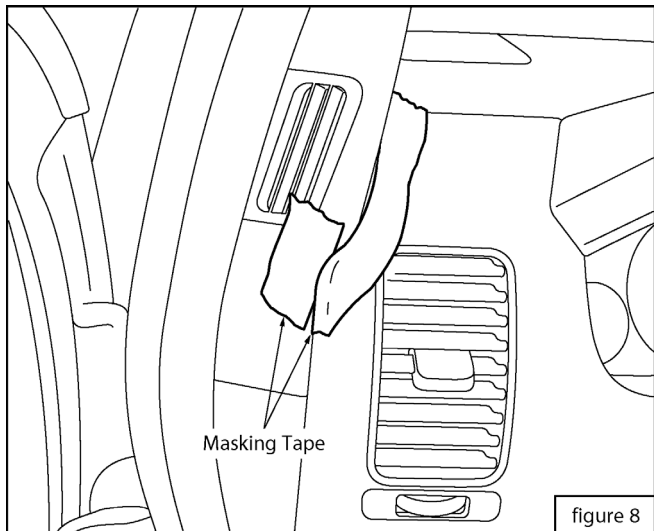


- 1) Detach the driver side A-pillar assist grip using a #2 Philips screwdriver as shown (figure 6).

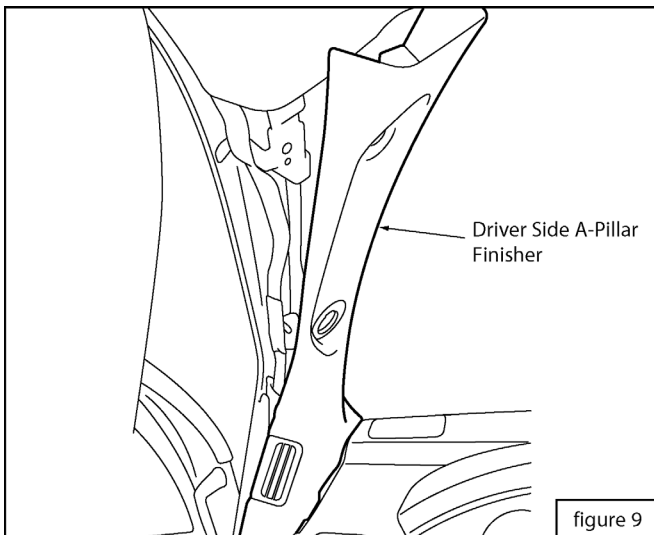
SATELLITE RADIO INSTALLATION INSTRUCTIONS



- 2) Detach the weather stripping from the driver side A-pillar using a PGF stick as shown (figure 7).



- 3) Apply masking tape to the A-pillar and the front of the dash as shown to protect them when removing (figure 8).



- 4) Remove the driver side A-pillar finisher by releasing the remaining clips as shown (figure 9).
- 5) Clean the windshield with 50/50 alcohol/water solution on the inside center antenna-mounting location above the rear view mirror (right of center for electro-chromatic {E/C} rear view mirror).

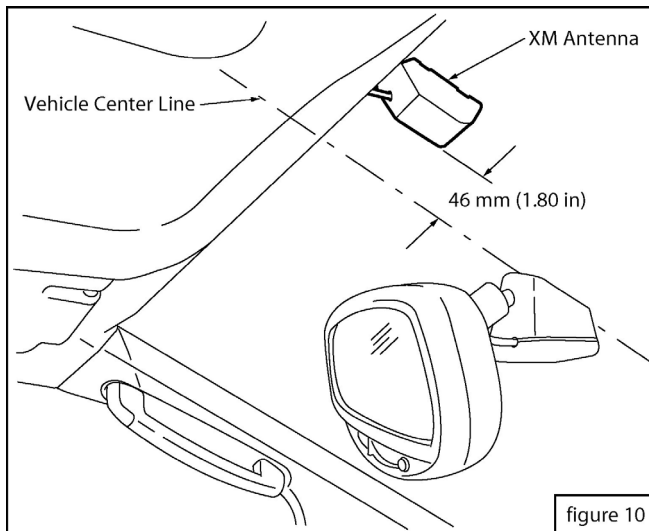
SATELLITE RADIO INSTALLATION INSTRUCTIONS

CAUTION

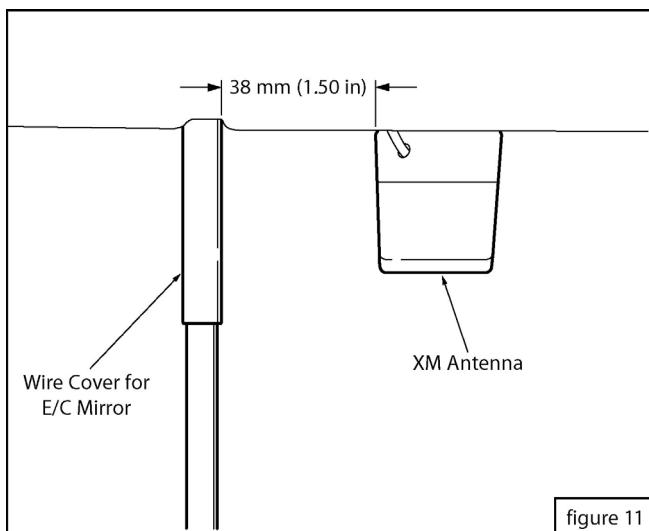
- In case of ambient temperatures below 20 degrees C (68 degrees F), it is required to warm the mounting surface with a heater to a minimum of 20 degrees C (68 degrees F).
- To prevent reduction of adhesive strength, do not touch or contaminate the cleaned glass or adhesive tape on the antenna.

NOTE

- For XM antenna installation proceed to ANTENNA INSTALLATION Step 6.
- For SIRIUS antenna installation proceed to ANTENNA INSTALLATION Step 8



- 6) XM antenna installation without E/C mirror.
 - a) Position the antenna to the inside of windshield, 46mm (1.80 in.) to the right of the rear view mirror/vehicle centerline and flush with the headliner trim as shown (figure 10).
 - b) Position the antenna to the inside of the windshield as shown (figure 10). Unwrap the antenna cable. Peel the tape off the antenna. Attach antenna on inside of windshield and apply equal pressure to the antenna for at least 20 seconds. Continue to step 10.

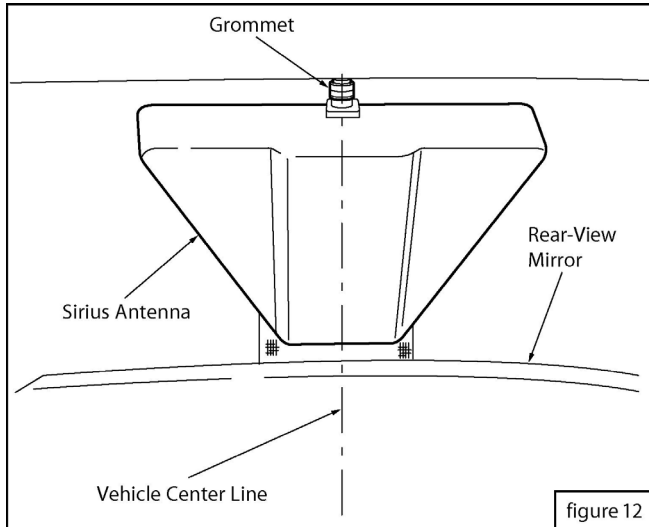


- 7) XM antenna installation with E/C mirror.
 - a) For installation of a XM antenna in vehicles with an E/C mirror the antenna must be installed 38mm (1.50 in.) to the RH side of the E/C mirror wire cover and flush with the headliner trim as shown (figure 11).
 - b) Position the antenna to the inside of the windshield as shown (figure 11). Unwrap the antenna cable. Peel the tape off the antenna. Attach the antenna on inside of windshield and apply equal pressure to the antenna for at least 20 seconds. Continue to step 10.

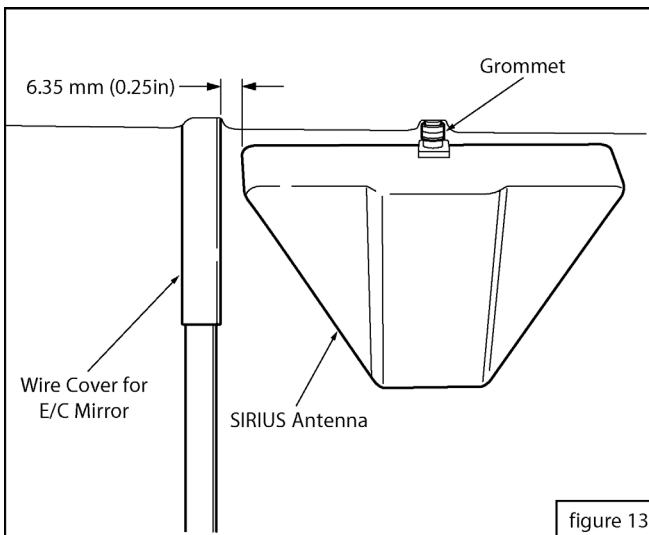
SATELLITE RADIO INSTALLATION INSTRUCTIONS

CAUTION

- Handling of adhesive promoter should be done carefully with gloves and safety glasses.

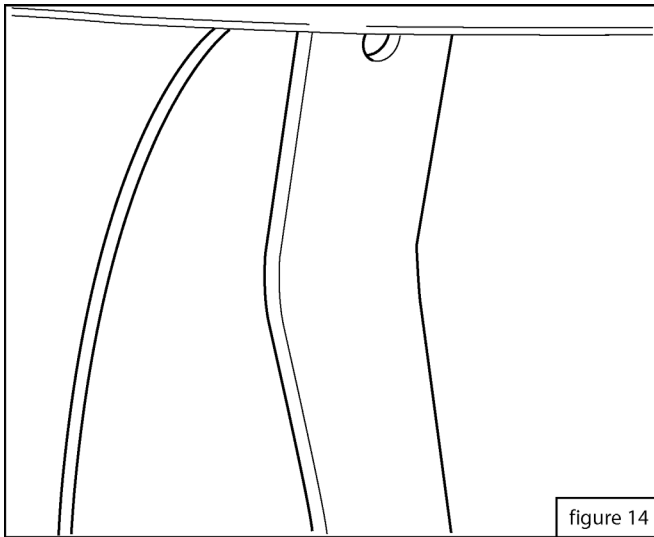


- 8) SIRIUS antenna installation without E/C mirror.
 - a) If the vehicle is not equipped with the E/C mirror, attach the SIRIUS antenna to the inside of the windshield, centered and flush with the headliner trim as shown (figure 12).
 - b) The SIRIUS antenna will be installed as flush as possible with the headliner. If there is a grommet on the antenna, tuck it under the headliner as much as possible (figure 12).
 - c) Apply the adhesive promoter to the inner windshield where the antenna is to be mounted. Let the area dry until the promoter is completely evaporated.
 - d) Unwrap the antenna cable. Peel the tape off the antenna. Place the antenna squarely, but lightly on the windshield. DO NOT apply one side first and then roll the rest down. Push corners down first, and then work to the sides. Apply equal pressure downward along portions of the housing for at least 20-30 seconds. Continue to step 10.

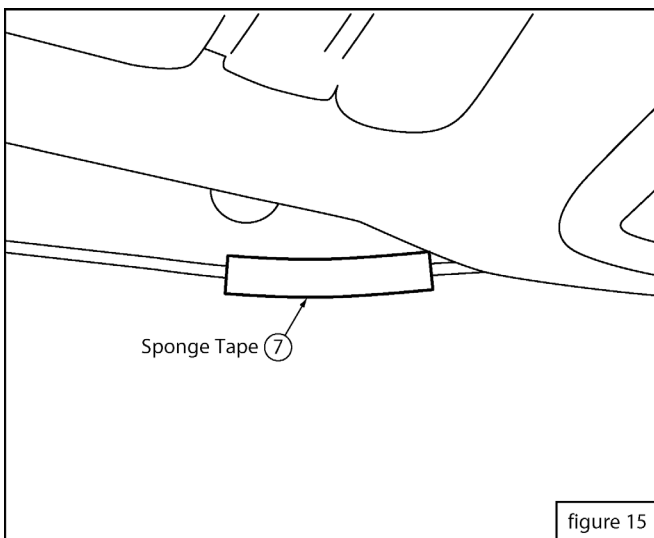


- 9) SIRIUS antenna installation with E/C mirror.
 - a) For installation of a SIRIUS antenna in vehicles with an E/C mirror the antenna must be installed 6.35mm (0.25in.) to the RH side of the E/C mirror wire cover (figure 13).
 - b) The SIRIUS antenna will be installed as flush as possible with the headliner. If there is a grommet on the antenna, tuck it under the headliner as much as possible (figure 13).
 - c) Apply the adhesive promoter to the inner windshield where the antenna is to be mounted. Let the area dry until the promoter is completely evaporated.
 - d) Unwrap the antenna cable. Peel the tape off the antenna. Place the antenna squarely, but lightly on the windshield. DO NOT apply one side first and then roll the rest down. Push corners down first, and then work to the sides. Apply equal pressure downward along portions of the housing for at least 20-30 seconds. Continue to step 10.

SATELLITE RADIO INSTALLATION INSTRUCTIONS



- 10) Use the plastic pry bar to release the headliner and push the antenna cable into the headliner towards the driver side A-pillar (figure 14).

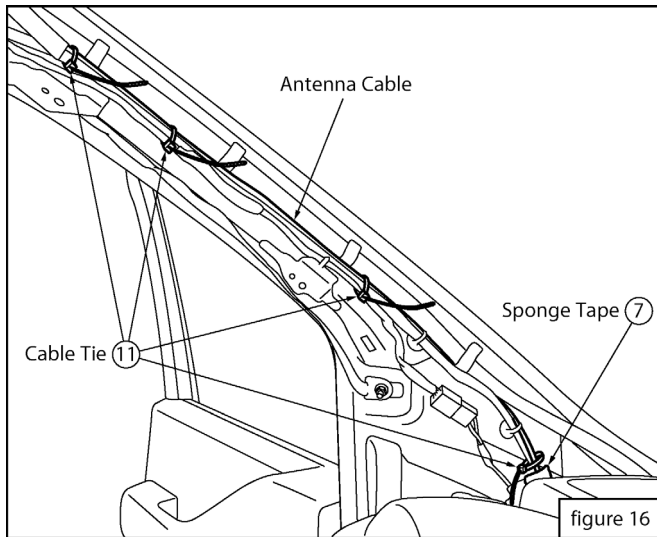


- 11) While feeding the antenna cable into the headliner, wrap three pieces of sponge tape lengthwise and evenly spaced across the length of wire as shown (figure 15).
 - a) Route the antenna cable from the headliner down the driver side A-pillar.

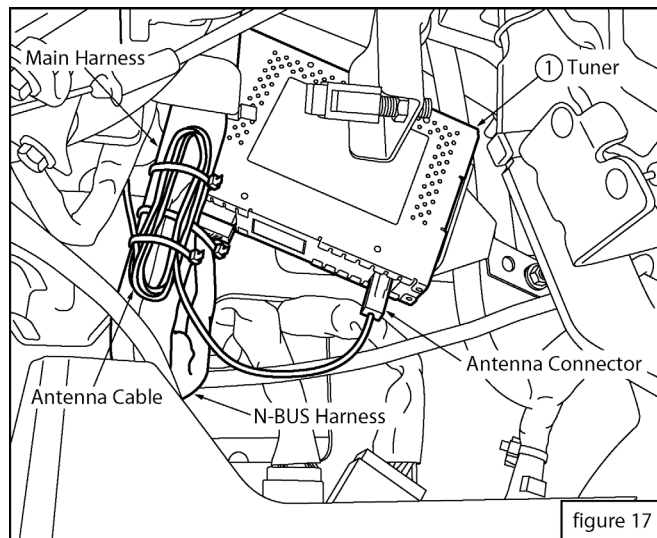
CAUTION

- Do not secure the antenna cable to the windshield washer fluid supply line or the sunroof drain line.
- Do not kink the antenna cable.

SATELLITE RADIO INSTALLATION INSTRUCTIONS



- 12) Cable tie the antenna cable in four locations to the existing wiring near the harness clip points as shown (figure 16).
- 13) Place one piece of sponge tape over the antenna cable and existing wiring near the bottom of the A-pillar as shown (figure 16).
- 14) Cut the excess cable tie as flush as possible with the cable tie head.
- 15) Route the antenna cable through the left side of the dash towards the tuner location.



- 16) Using a cable tie, secure the excess N-BUS harness to the main harness as shown (figure 17).
- 17) Connect the antenna connector to the tuner.
 - a) Bundle the excess antenna cable.
 - b) Use two cable ties to secure the antenna cable to the existing vehicle harness as it exits the bottom portion of the driver side A-pillar towards the tuner as shown (figure 17).

SATELLITE RADIO INSTALLATION INSTRUCTIONS

12. OPERATIONAL CHECK

- 1) Connect the battery negative terminal.
- 2) Turn the vehicle ignition switch to the ACC position.
- 3) Turn the radio on, then select satellite radio mode. Loading (XM) or Acquiring (SIRIUS) should display for a while. If not, move the vehicle outside and try again.
- 4) Tune to the preview channel (XM: channel 1 or SIRIUS: channel 184) to make sure you are receiving the preview channel correctly.
- 5) Confirm proper audio operation (AM/FM/TAPE/CD).

13. REINSTALLATION OF REMOVED PARTS

- 1) Reinstall all removed vehicle parts. Refer to the service manual for the vehicle as necessary.
- 2) Be sure to engage all the clips on the interior finish panels.
- 3) Remove any masking tape and clean the vehicle interior.

14. FINAL INSPECTION

- 1) Inspect the vehicle interior and exterior for damage.
- 2) Confirm proper operation of the vehicle systems.
- 3) Reset the radio presets to the recorded settings. If equipped, verify proper sunroof operation and perform the reset procedure if necessary. Refer to Service Manual requirements.