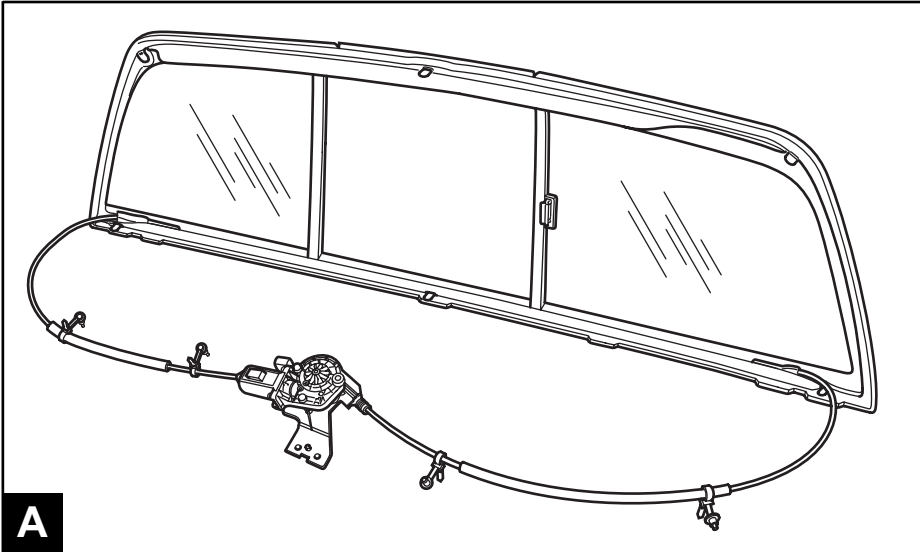




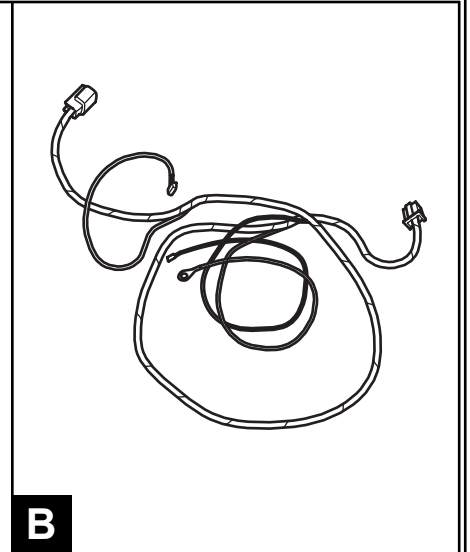
DODGE RAM QUAD & MEGA CAB TRUCK

Power Sliding Backlite

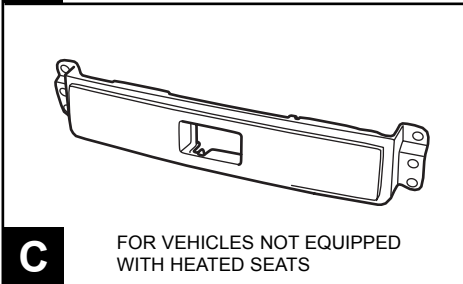
MOPAR®



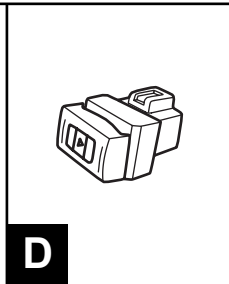
A



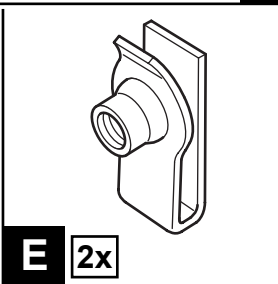
B



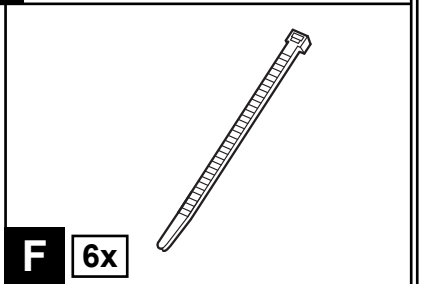
C FOR VEHICLES NOT EQUIPPED WITH HEATED SEATS



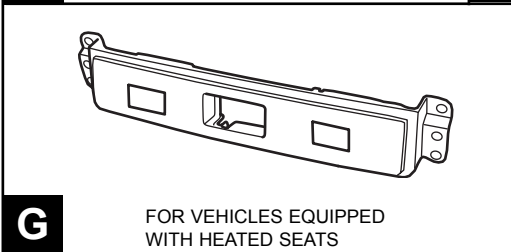
D



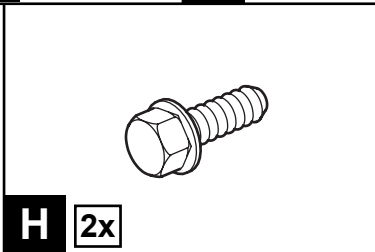
E 2x



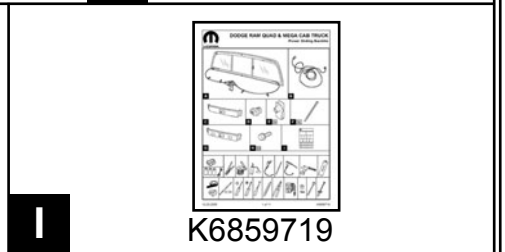
F 6x



G FOR VEHICLES EQUIPPED WITH HEATED SEATS



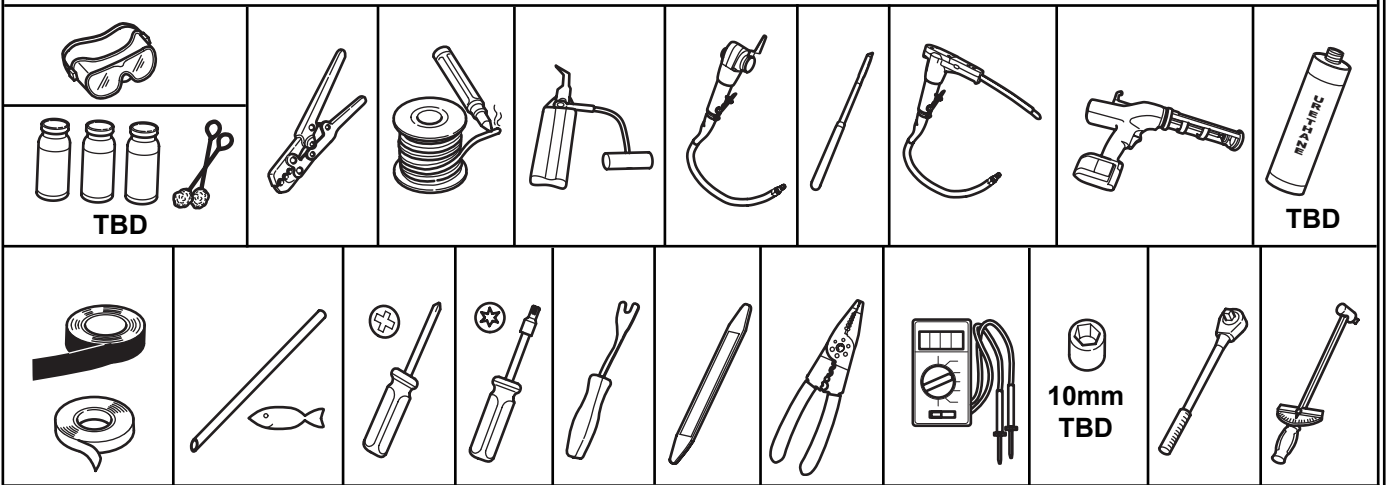
H 2x

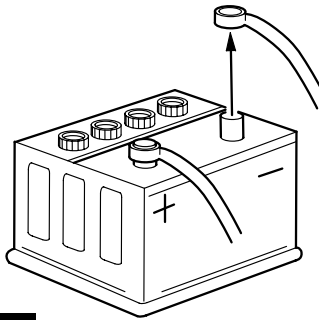
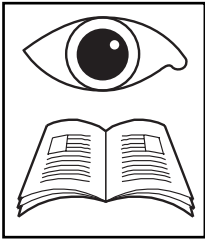


I

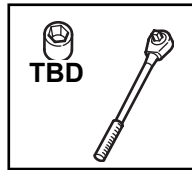
K6859719

THIS KIT WAS DESIGNED FOR BASE TRUCK AND TRUCKS WITH HEATED SEATS ONLY. A DIFFERENT BEZEL MAY BE NEEDED ON SOME MODELS.

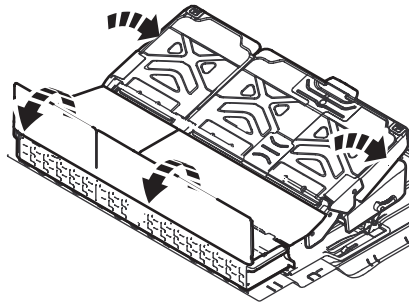




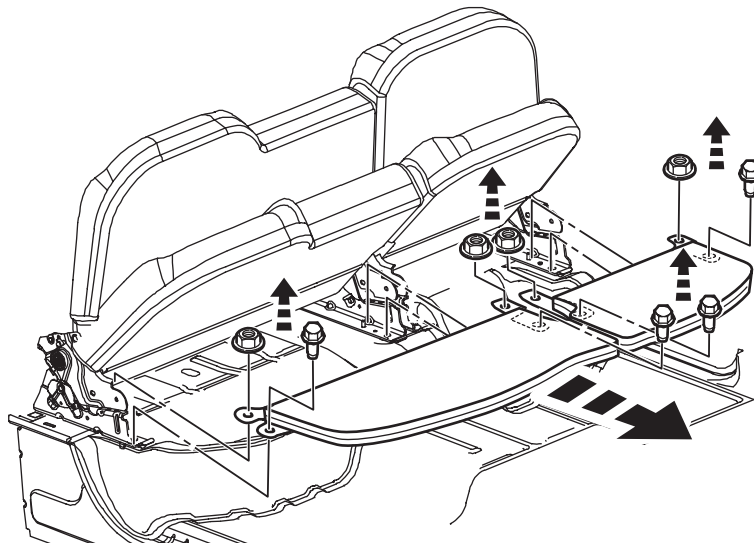
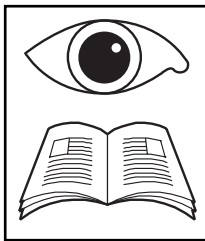
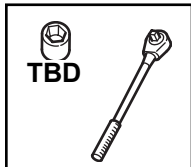
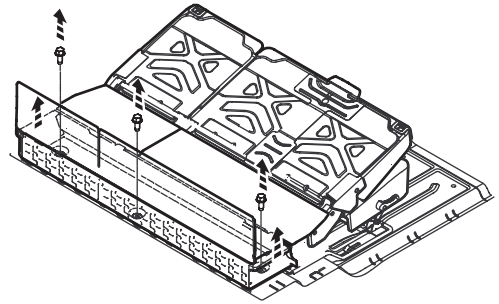
1



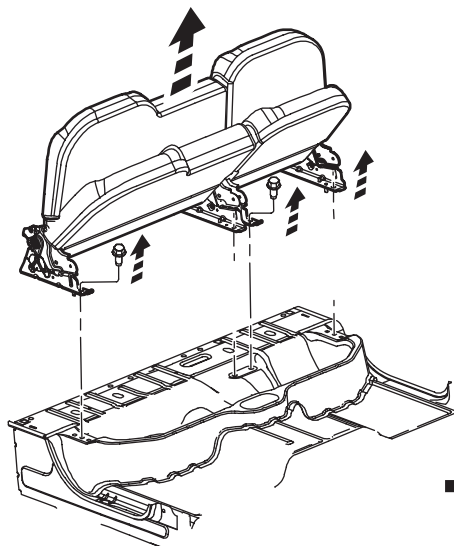
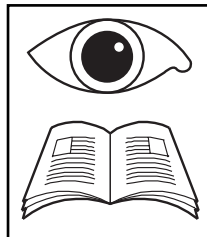
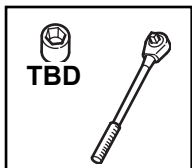
MEGA CAB



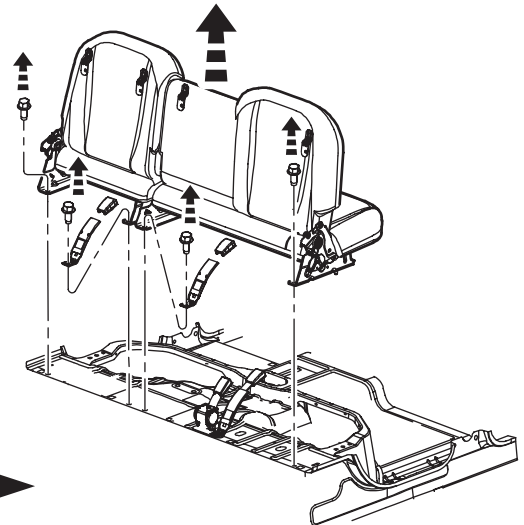
2

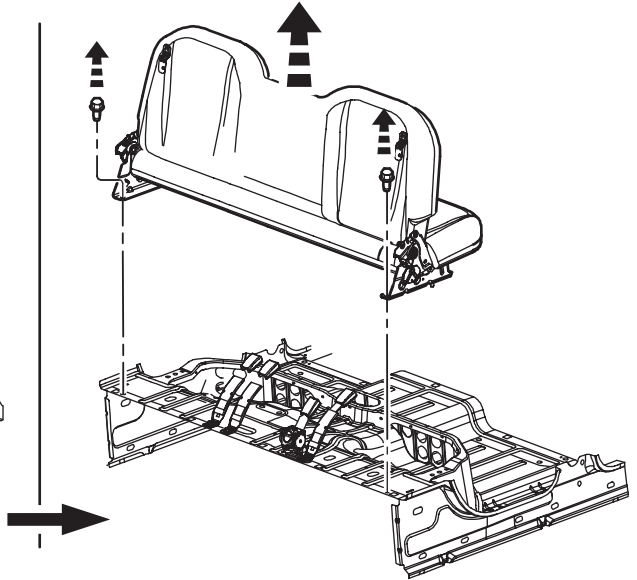
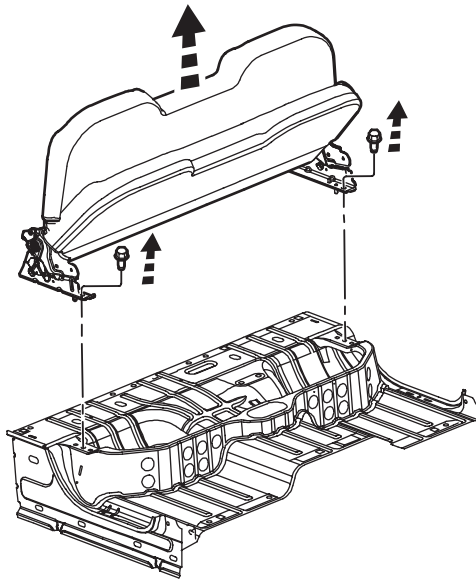
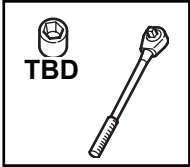


3

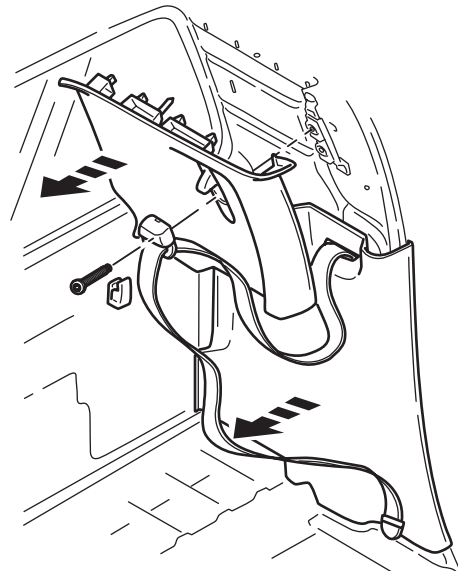
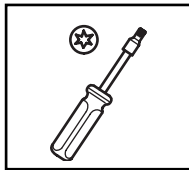


4

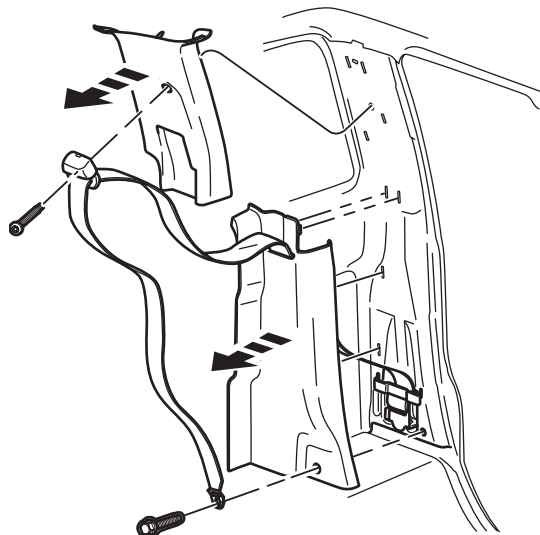
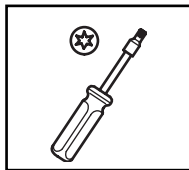
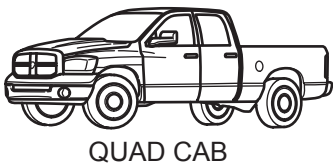




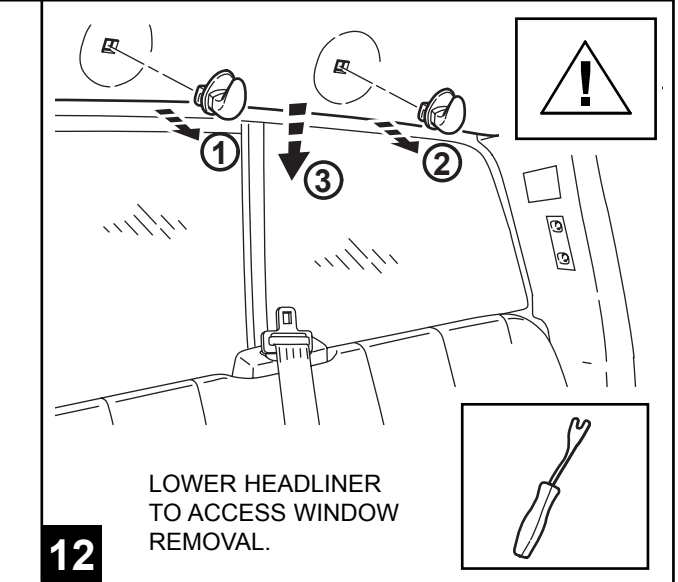
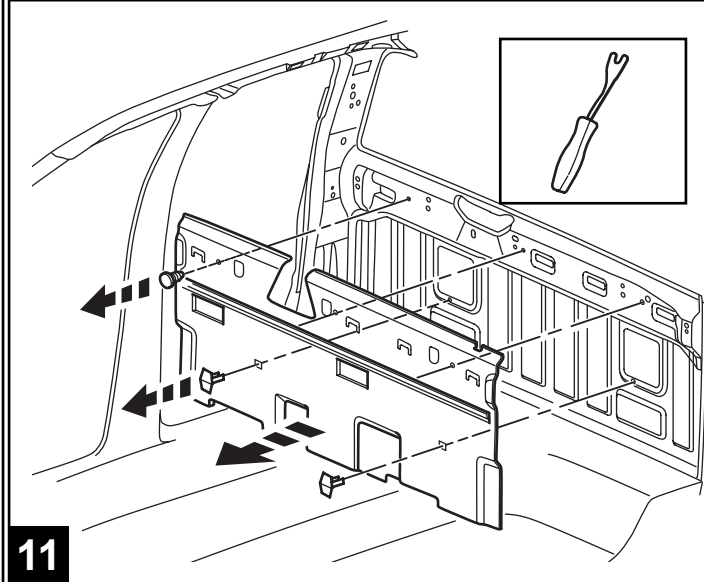
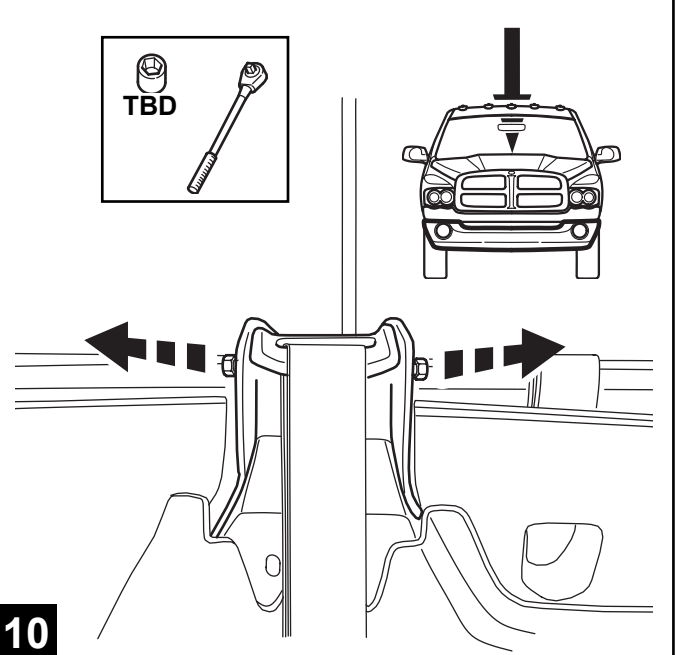
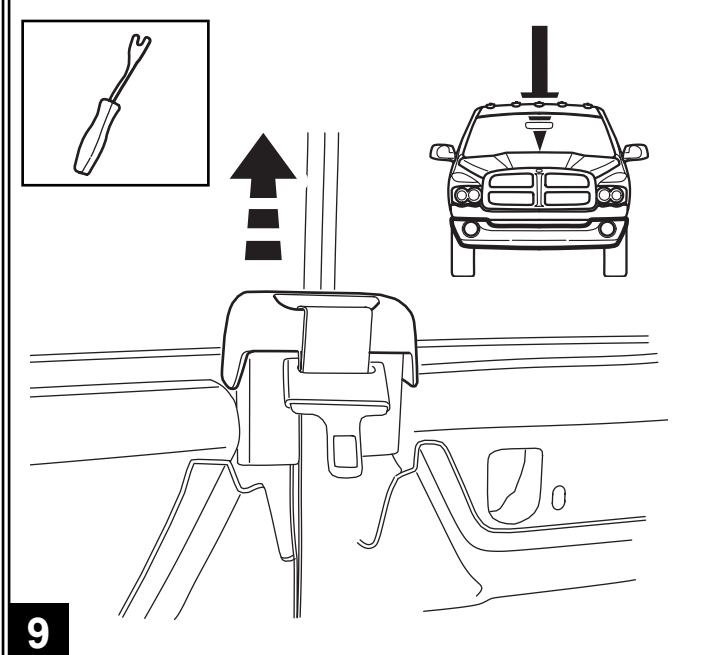
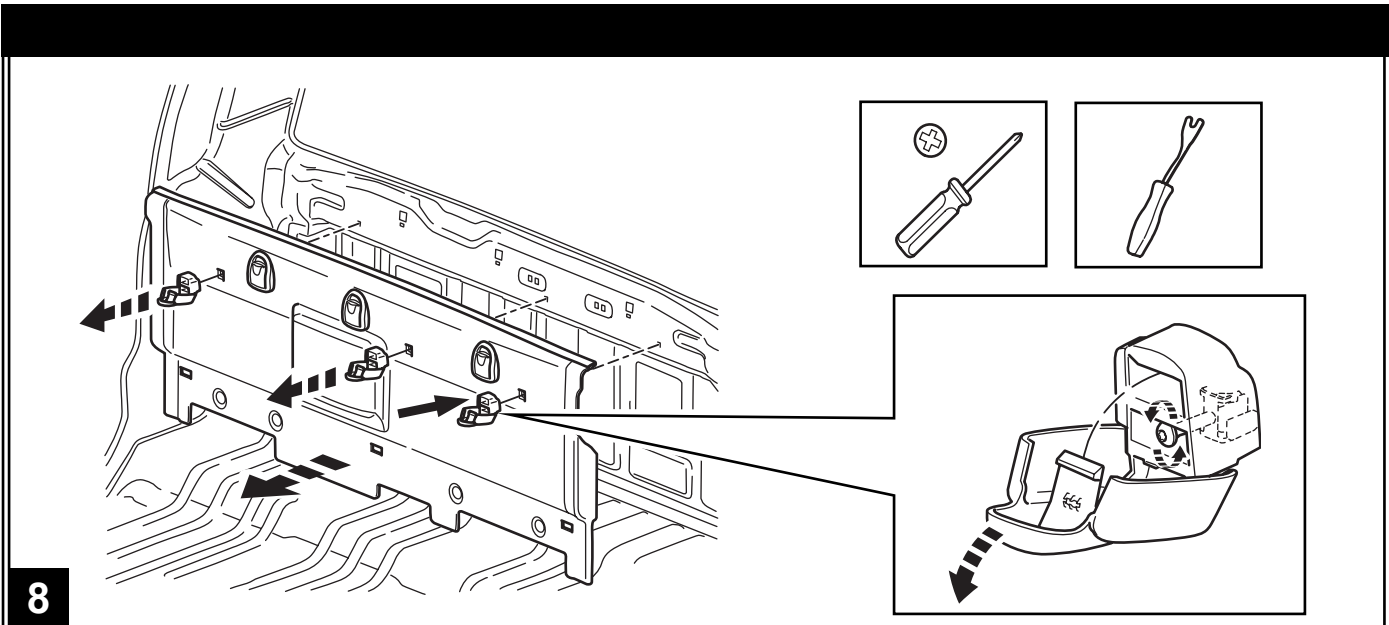
5

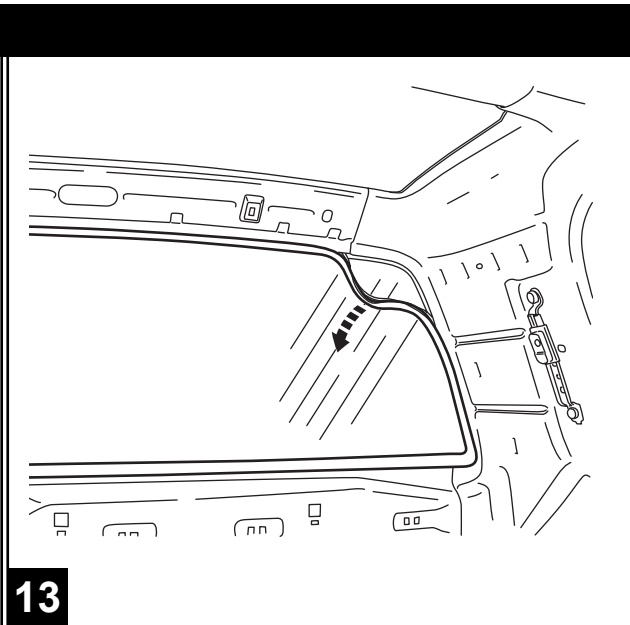


6

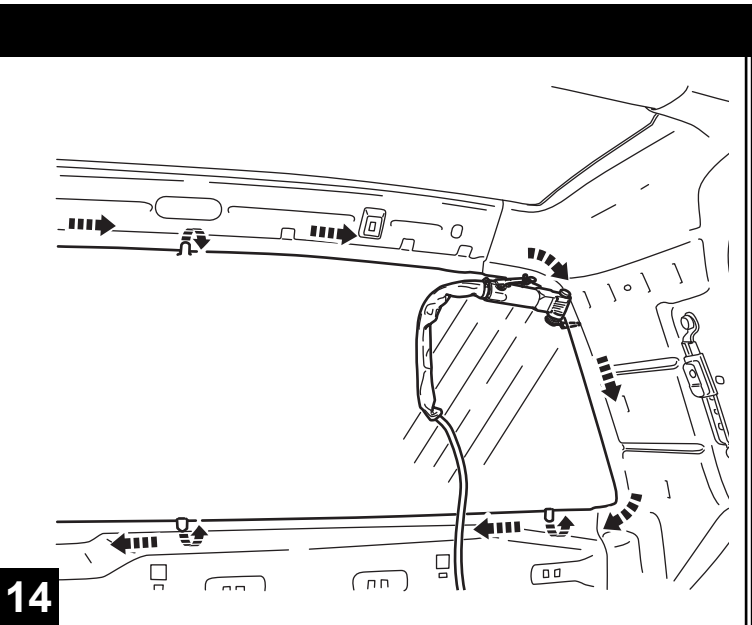


7

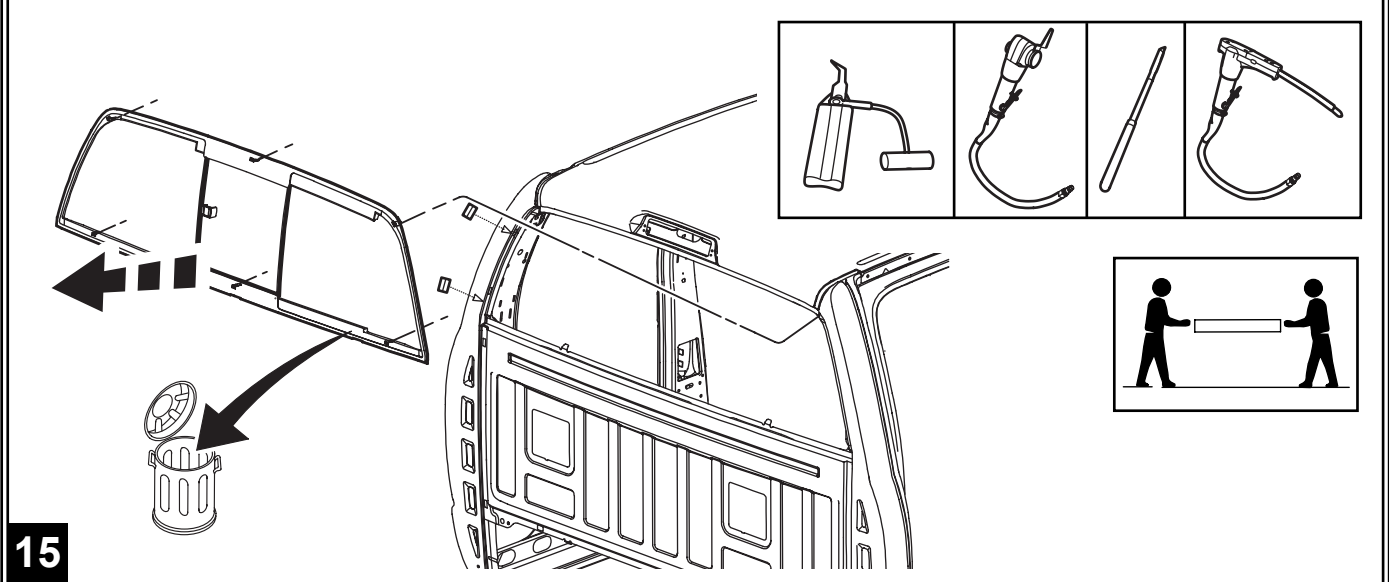




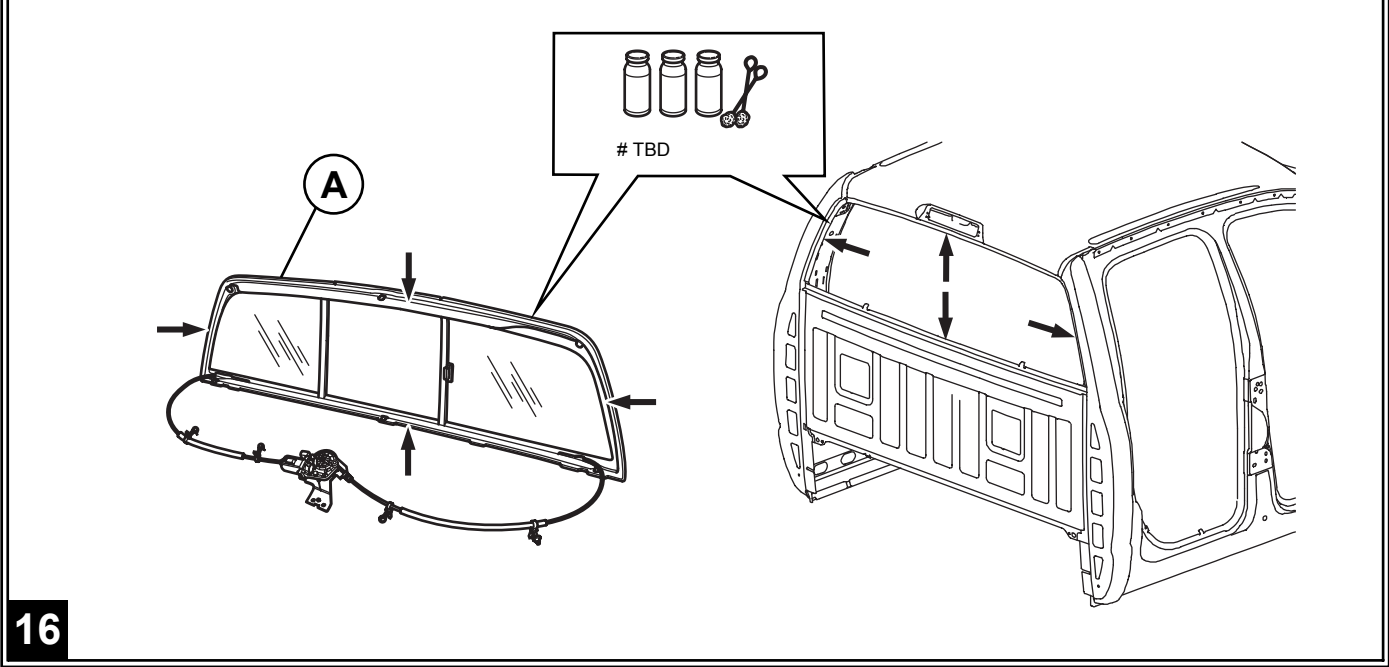
13



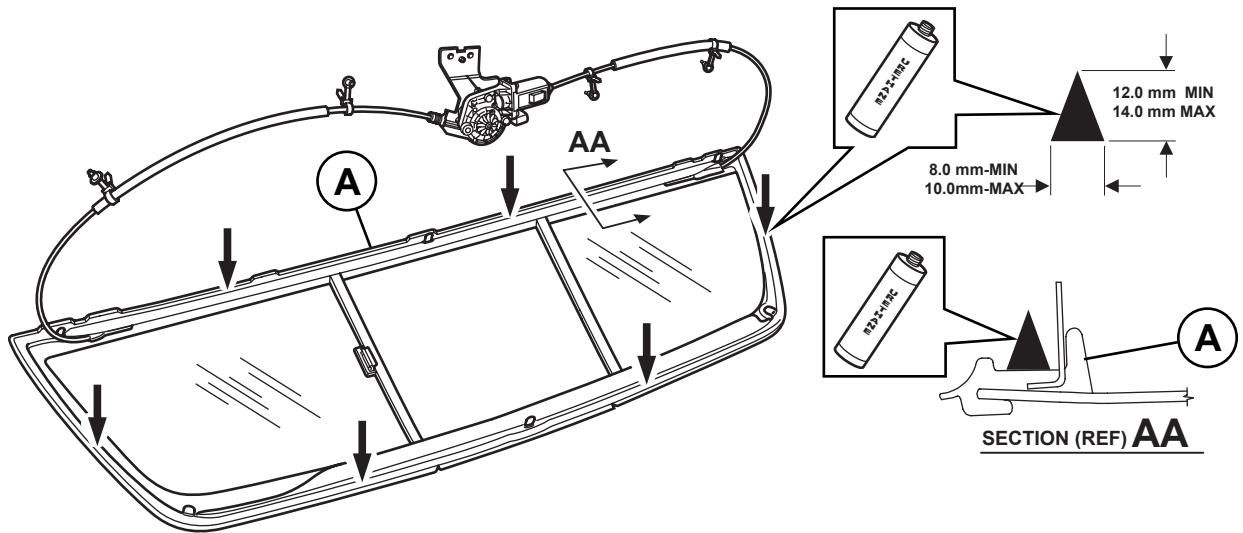
14



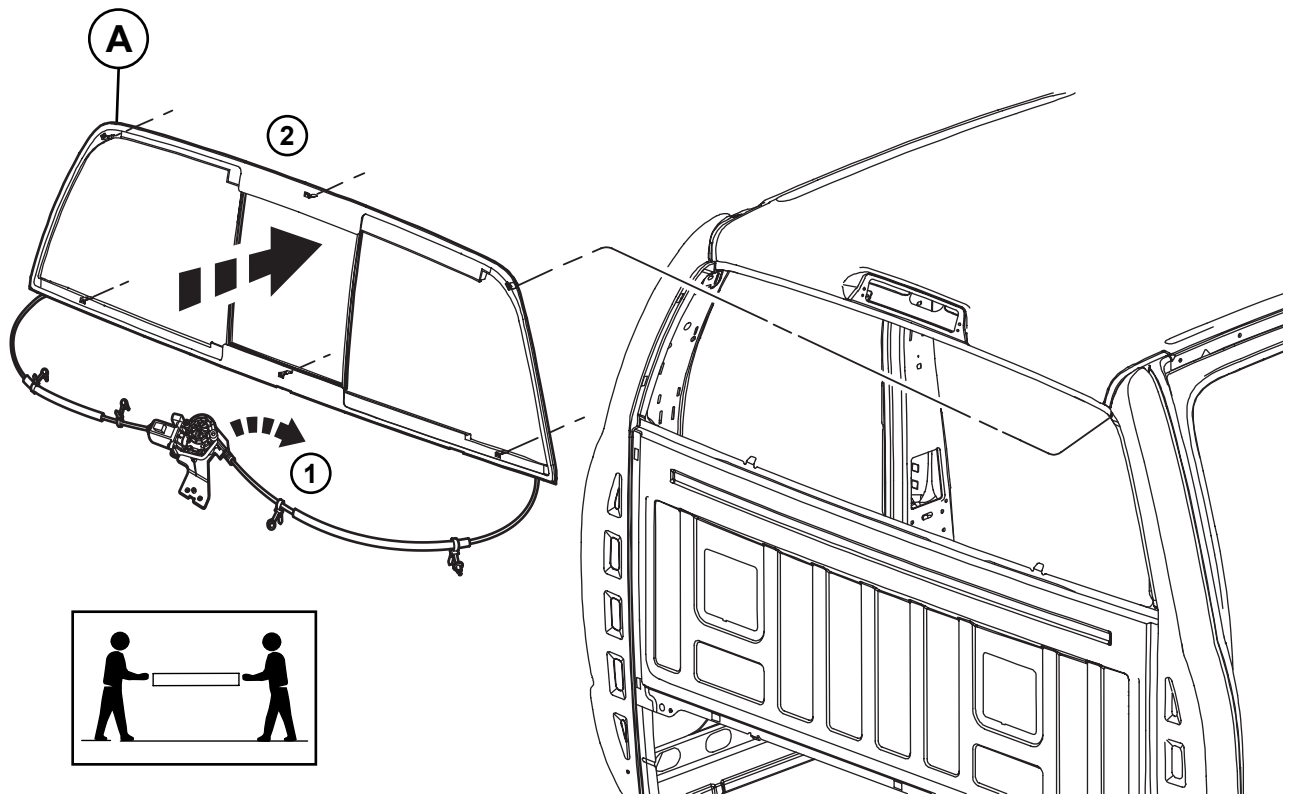
15



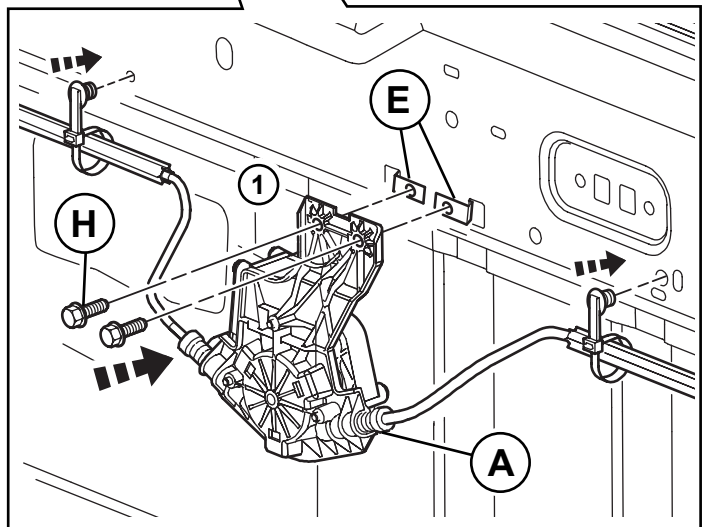
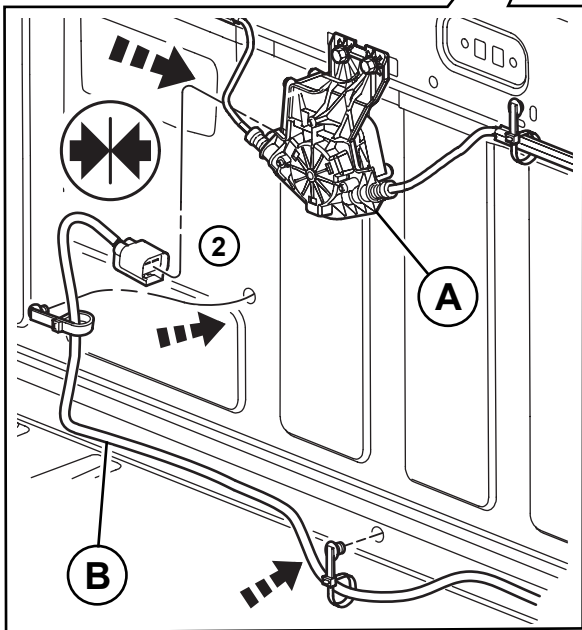
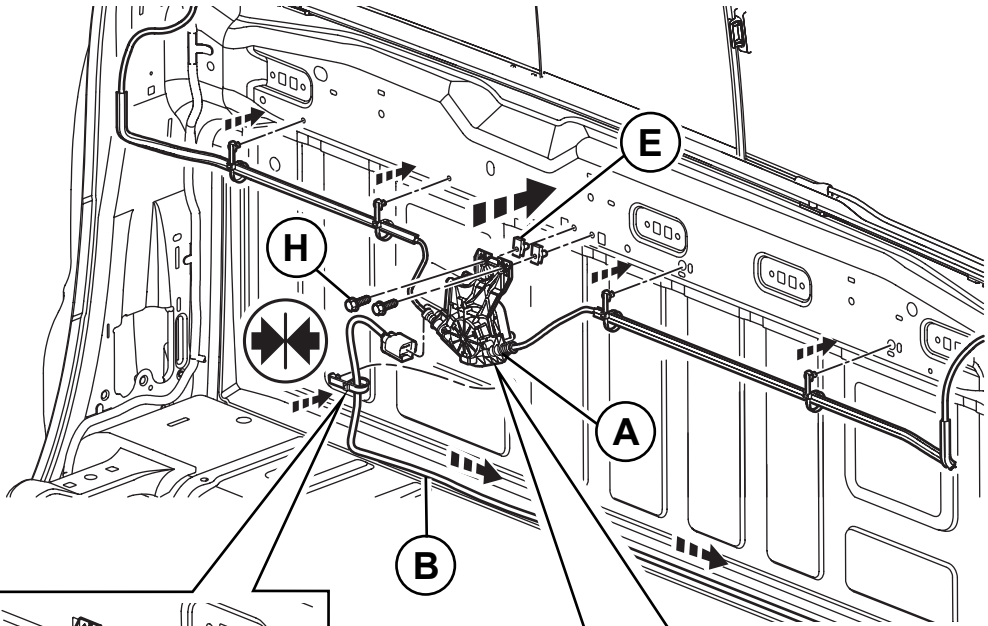
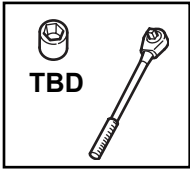
16



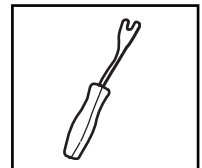
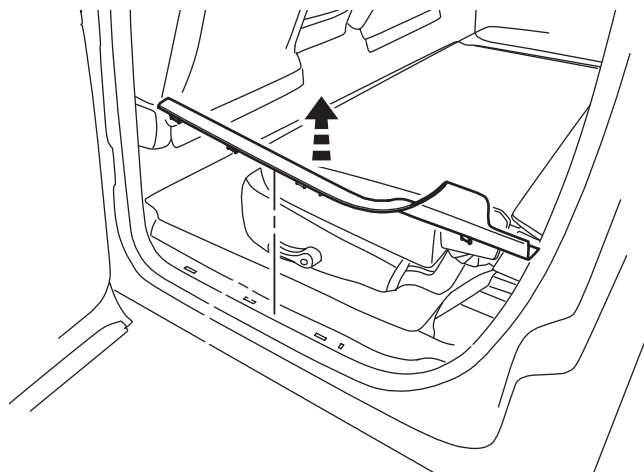
17



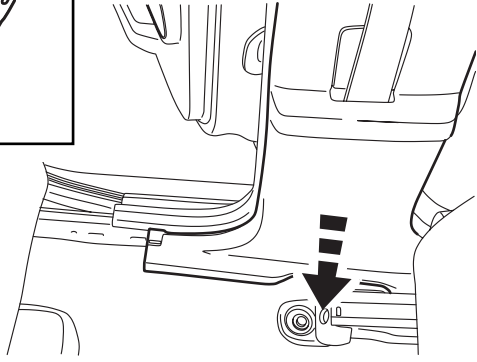
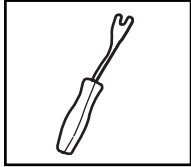
18



19



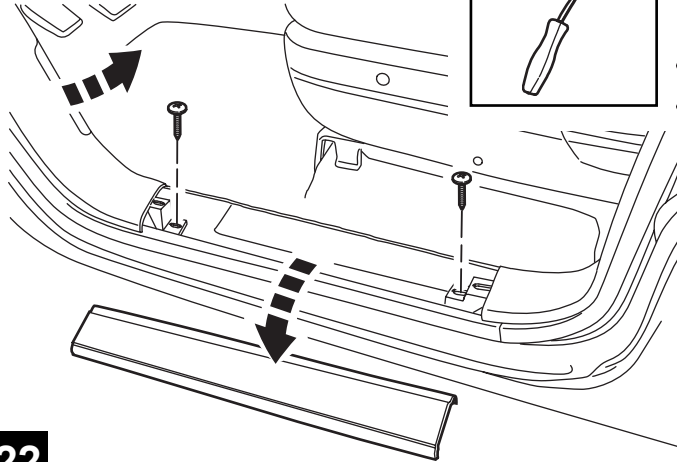
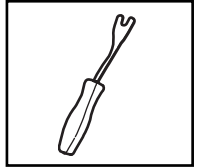
20



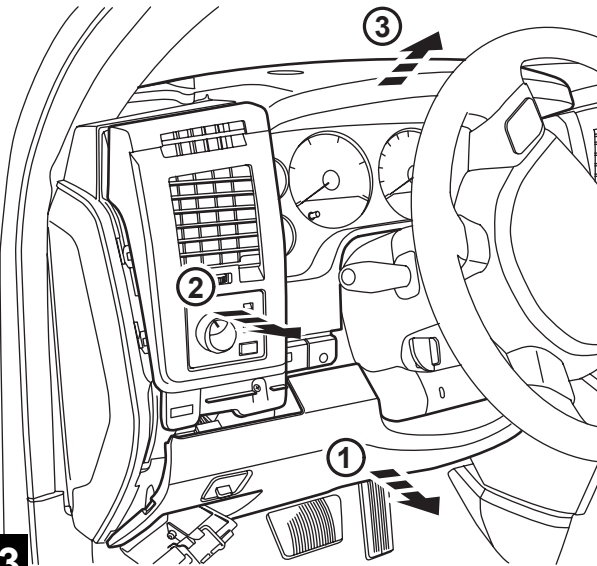
FRONT OF VEHICLES



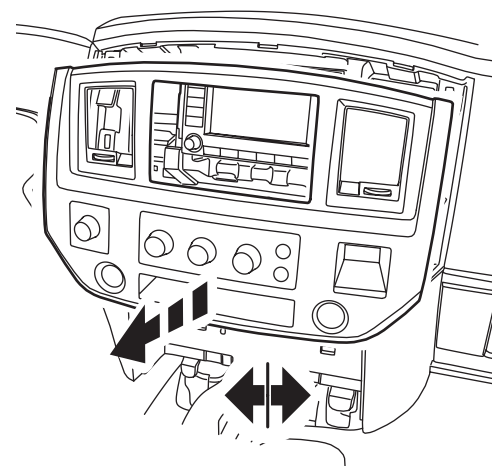
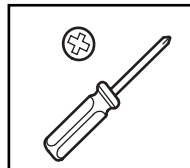
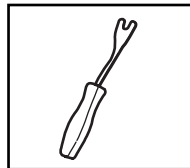
21



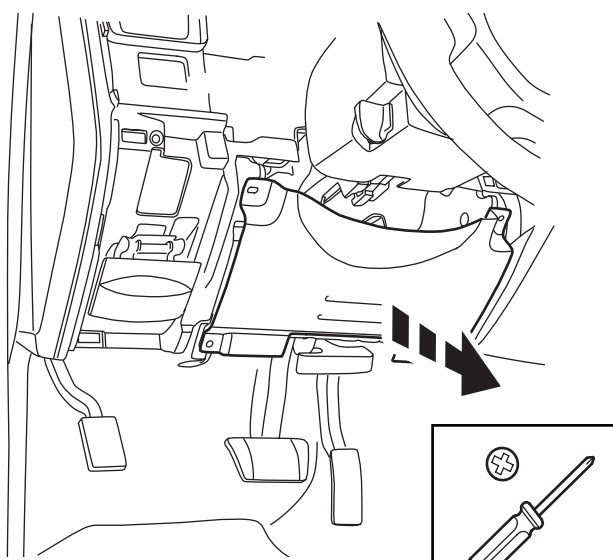
22



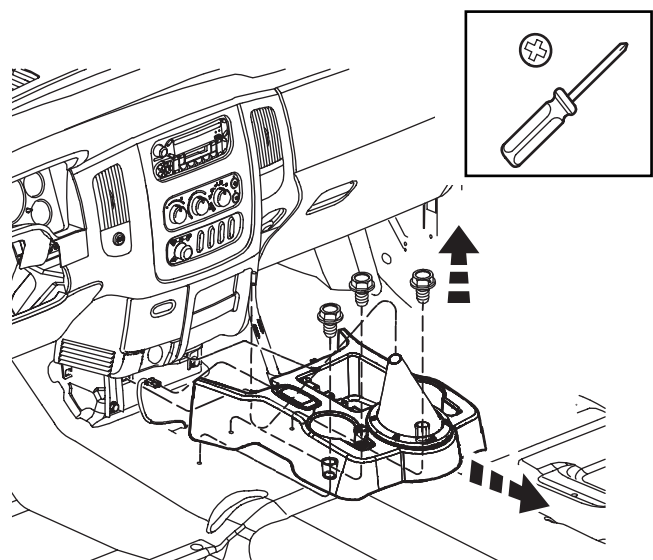
23



24

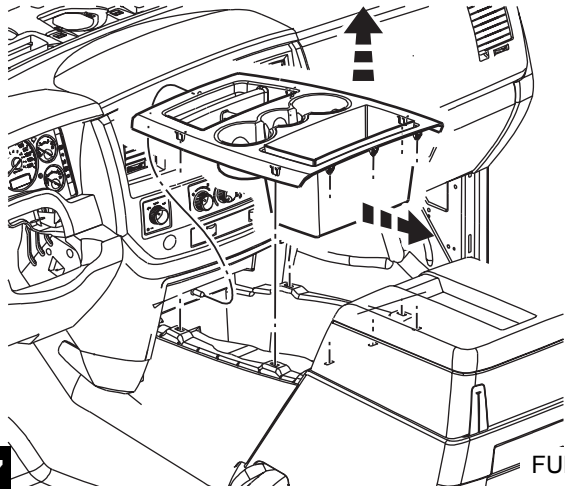


25



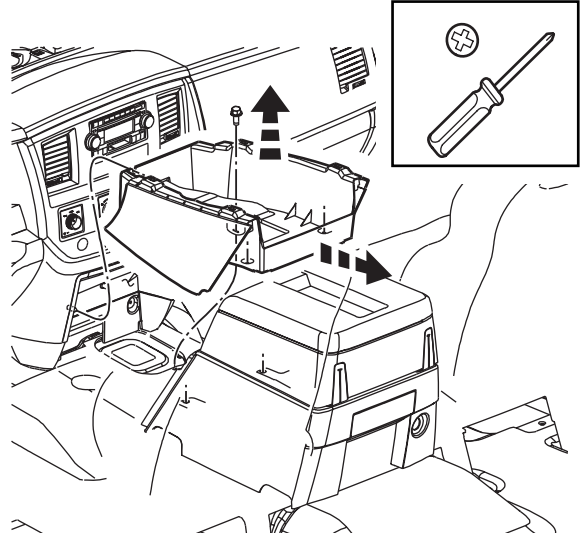
26

MINI-CONSOLE



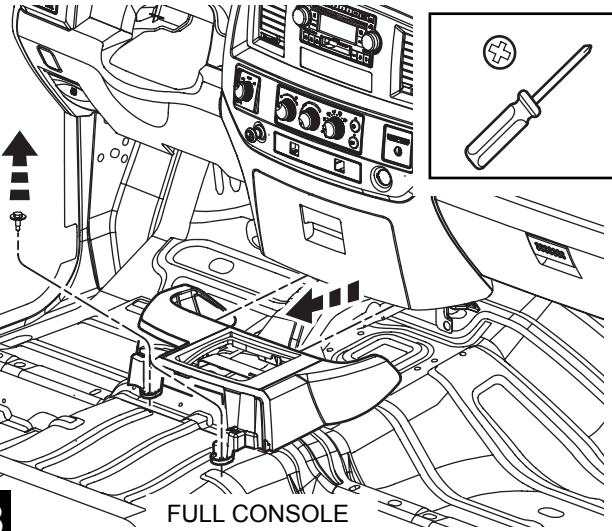
27

FULL CONSOLE

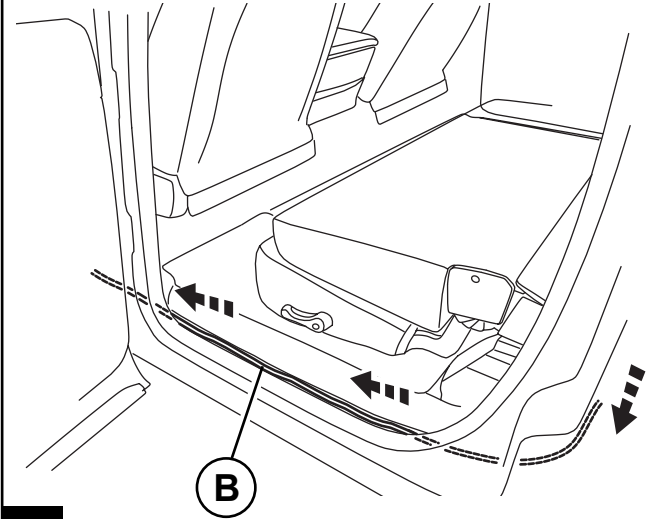


28

FULL CONSOLE

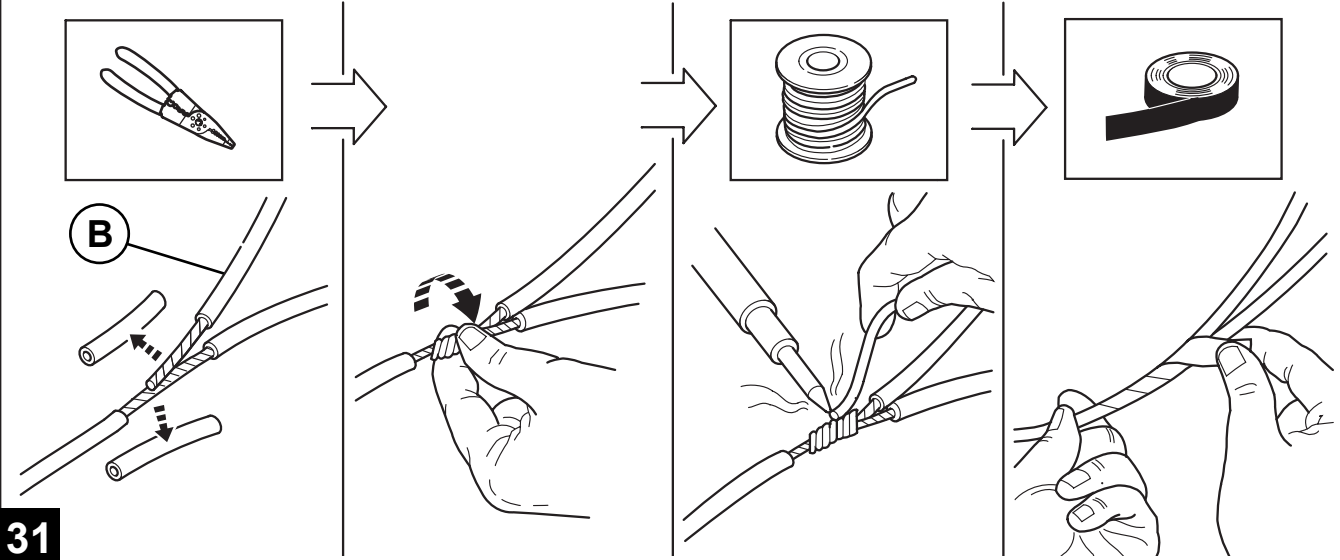


29

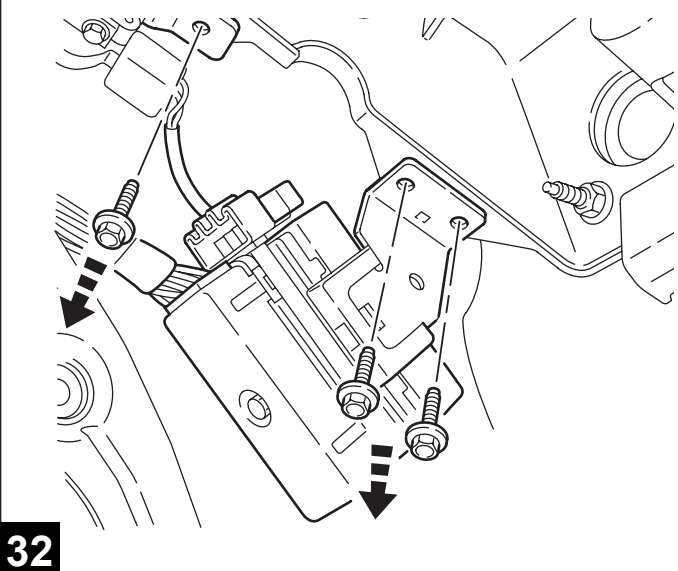


30

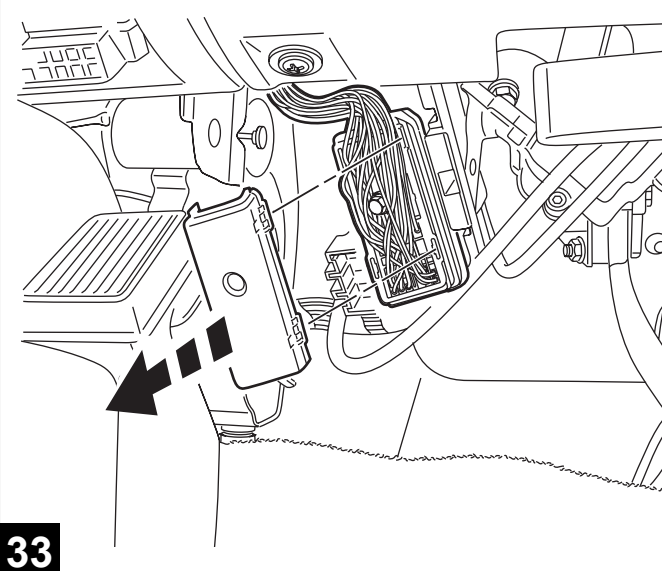
CENTER SPLICE PROCEDURE TO BE USED IF REQUIRED IN FRAMES.



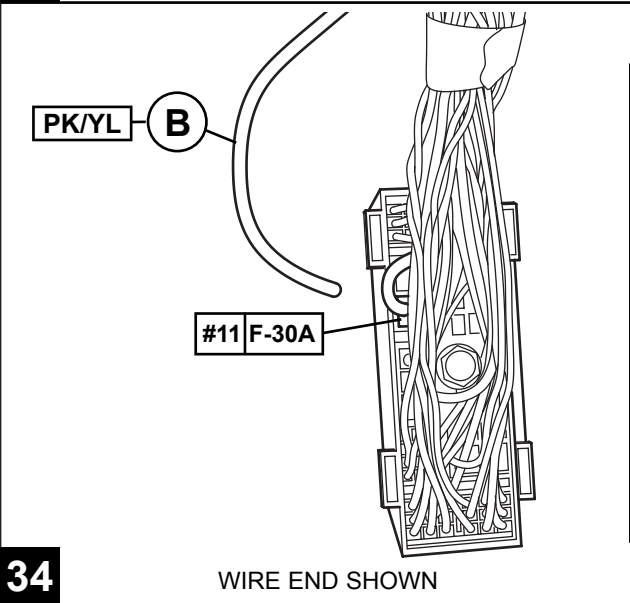
31



32

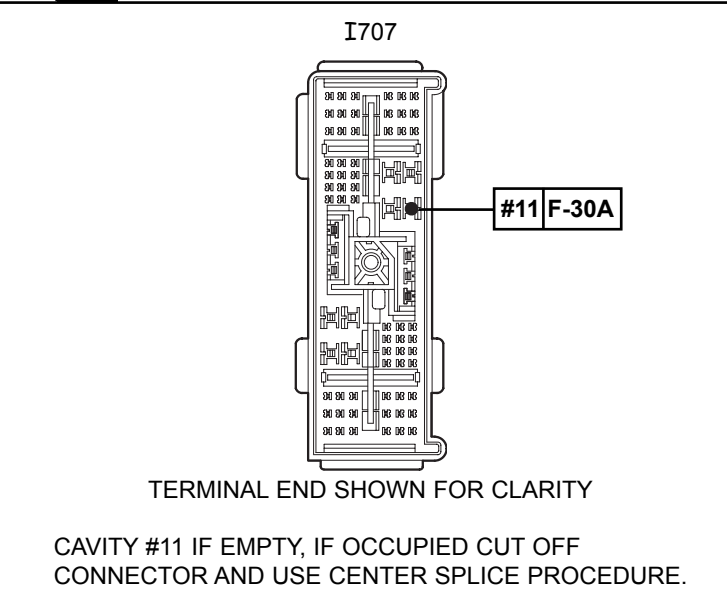


33



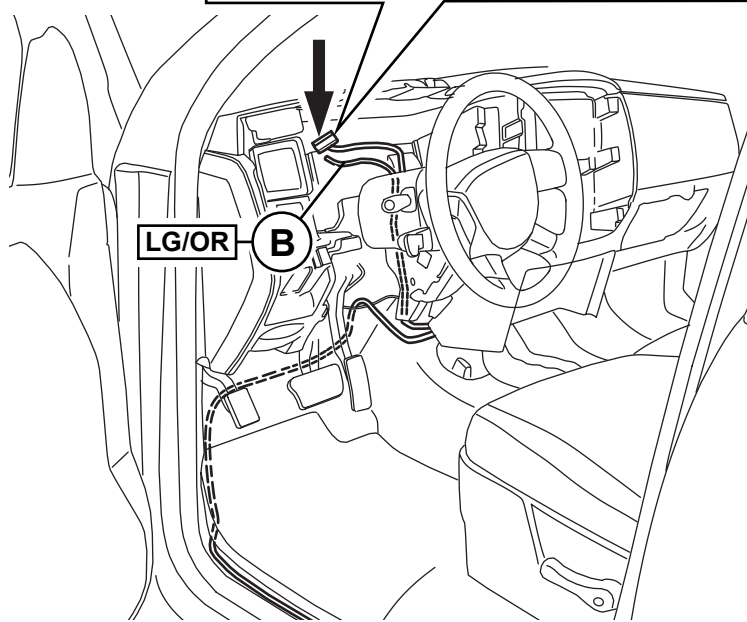
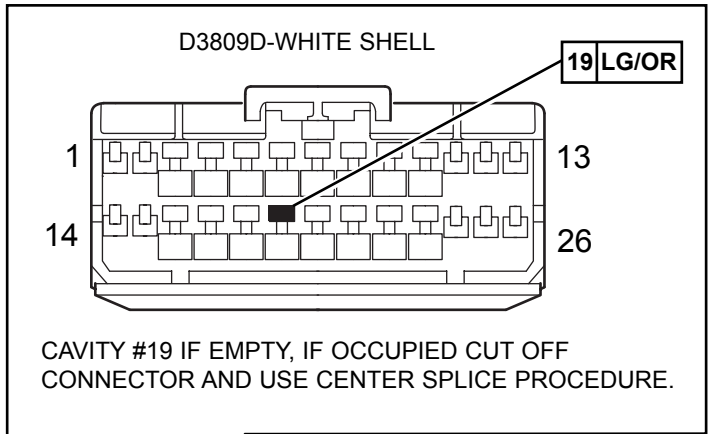
34

WIRE END SHOWN

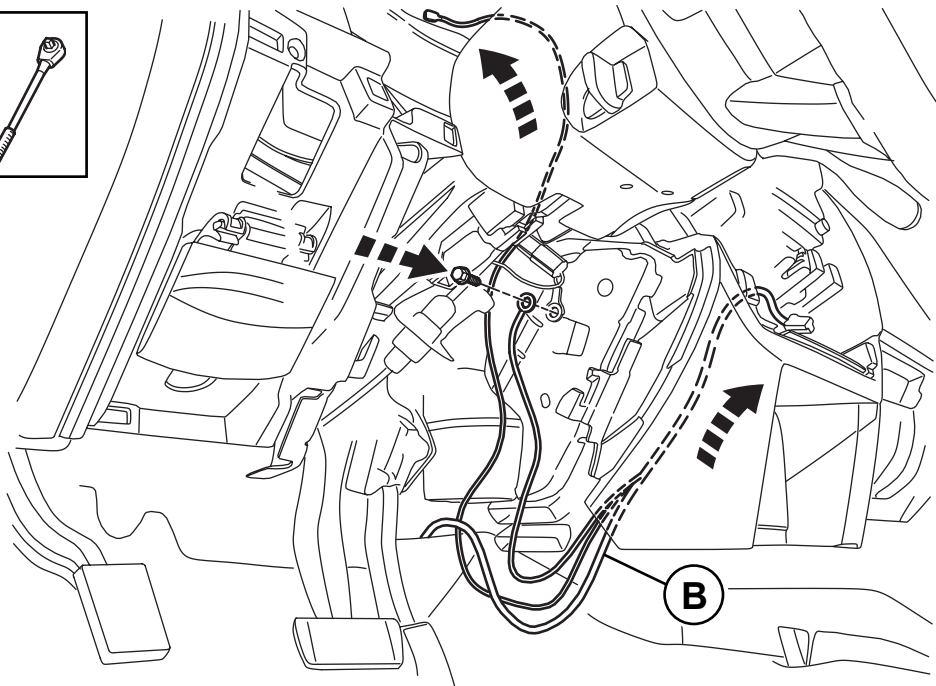
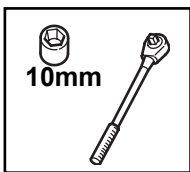


TERMINAL END SHOWN FOR CLARITY

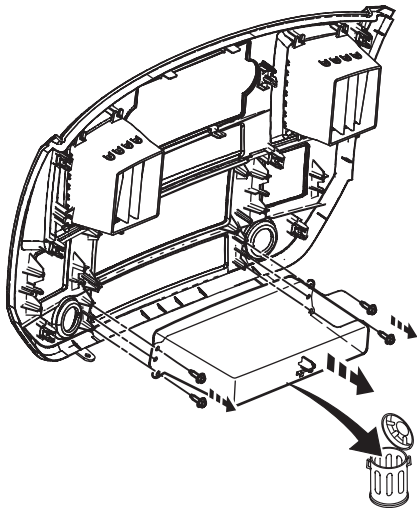
CAVITY #11 IF EMPTY, IF OCCUPIED CUT OFF CONNECTOR AND USE CENTER SPLICE PROCEDURE.



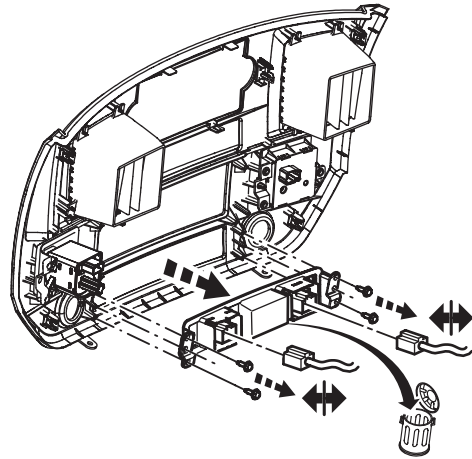
35



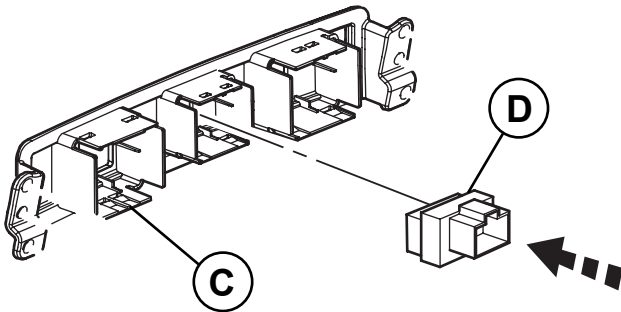
36



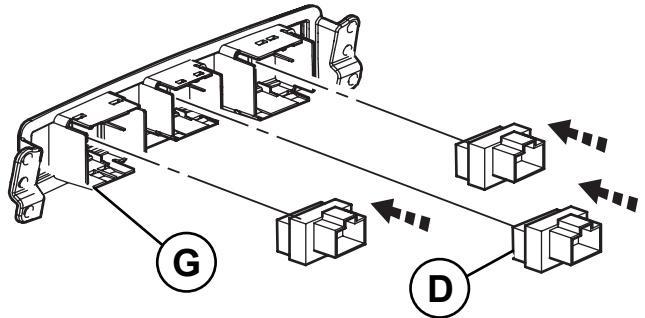
37 FOR VEHICLES **NOT** EQUIPPED WITH HEATED SEATS



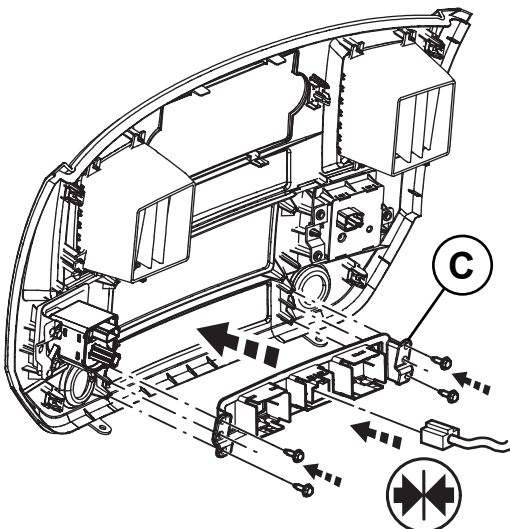
38 FOR VEHICLES EQUIPPED **WITH** HEATED SEATS



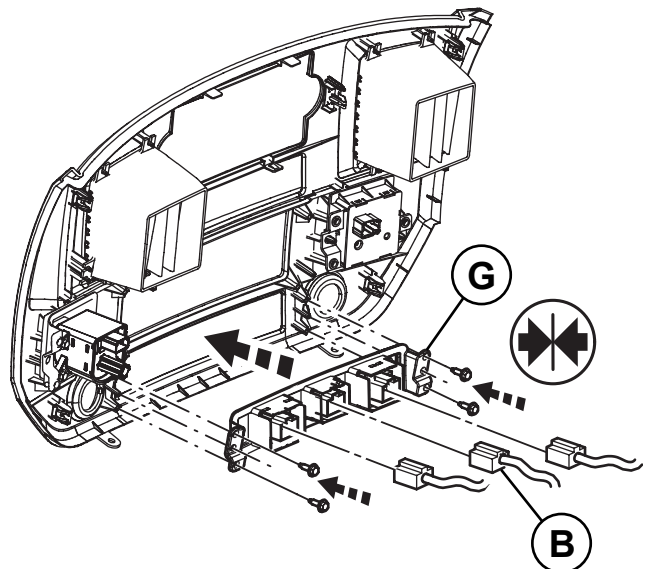
39 FOR VEHICLES **NOT** EQUIPPED WITH HEATED SEATS



40 FOR VEHICLES EQUIPPED **WITH** HEATED SEATS

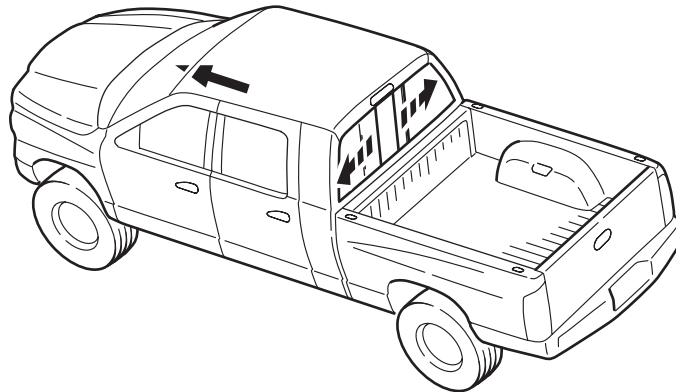


41 FOR VEHICLES **NOT** EQUIPPED WITH HEATED SEATS

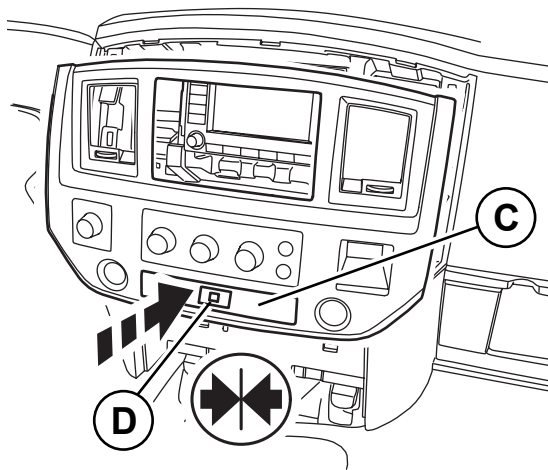


42 FOR VEHICLES EQUIPPED **WITH** HEATED SEATS

- RECONNECT BATTERY
- PUSH BUTTON (ITEM D) TO TEST FOR PROPER OPERATION.

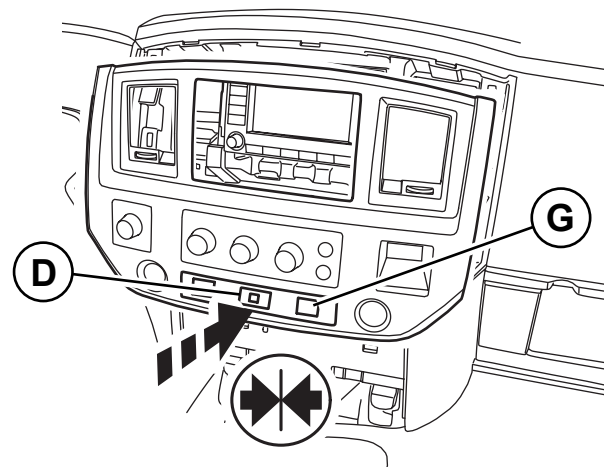


43



FOR VEHICLES **NOT** EQUIPPED WITH HEATED SEATS

44



FOR VEHICLES EQUIPPED **WITH** HEATED SEATS

45

REVERSE TRIM REMOVAL STEPS FOR REINSTALLATION.

46