



## GENUINE PARTS

# SATELLITE RADIO INSTALLATION INSTRUCTIONS

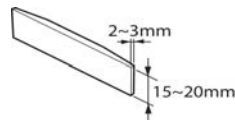
1. DESCRIPTION:	Satellite Radio System	
2. APPLICATION:	Versa Sedan (2007)	
3. PART NUMBERS:	XM Tuner Kit	999U9-AS005
	SIRIUS Tuner Kit	999U9-AS006
	XM Antenna Kit	999U9-VS000
	SIRIUS Antenna Kit	999U9-VS001
	Mounting Bracket	999U9-1T000

### 4. TUNER KIT CONTENTS: ( 999U9-AS005 or 999U9-AS006 )

Item	Qty	Description	Parts View
1	1	Tuner	
2	2	Black Tape	
3	1	Velcro Tape (hook)	
4	1	Velcro Tape (loop)	
5	1	Spacer	
6	4	M5 Screw	
7	14	Sponge Tape	
8	1	Edge Protector	
9	6	Clear Tape	
10	1	Corrugated Tube	
11	6	Cable Tie	
12	2	Butyl Gum	
13	4	Cable Clamp	

### 5. TOOLS REQUIRED:

- |                                 |  |   |
|---------------------------------|--|---|
| 1. Philips screw driver         | 8. Adhesive tape   | 12. PGF stick for antenna cable routing |
| 2. Flat file                    | 9. Masking tape  |   |
| 3. Tape measure                 | 10. Rustproof compound (Bitumen Wax, 999MP-9G001P or Equivalent) |   |
| 4. Clip remover                 | 11. Die grinder with cutoff wheel (wheel no larger than 3 in.)   |   |
| 5. Soapy water                  |  |   |
| 6. 50/50-alcohol/water solution |  |   |
| 7. Electrical tape              |  |   |



### 6. INSTALLATION PRECAUTIONS / NOTES:



## CAUTION

- This can be a difficult and time-consuming installation that may require the skill of the master technician who is familiar with electronics installation. Contact your regional DTS for additional information on installation support.

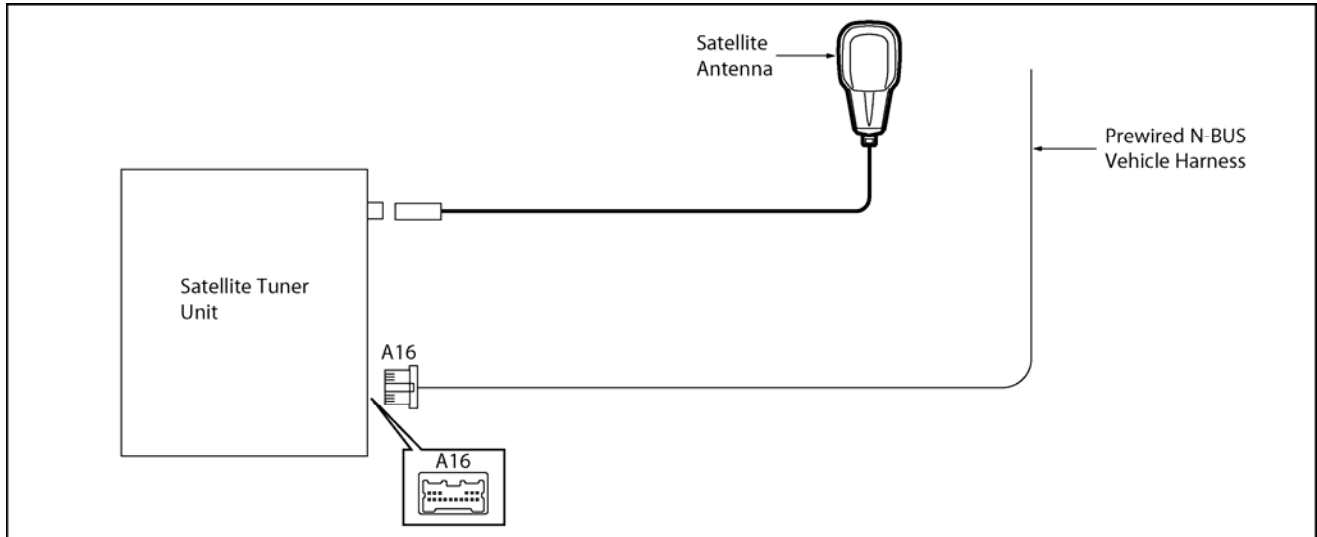
# SATELLITE RADIO INSTALLATION INSTRUCTIONS

## 6. INSTALLATION PRECAUTIONS / NOTES:

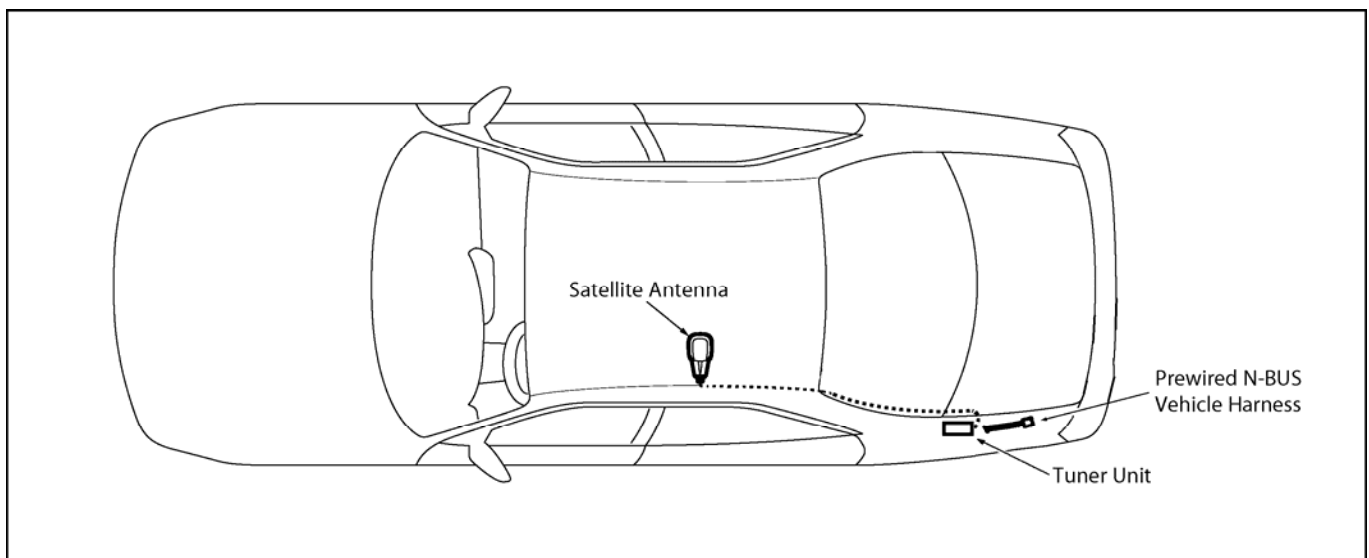
### CAUTION

- Tuner unit and antenna must all be the same brand, XM or SIRIUS.
- This is a universal installation kit so all parts may not be used.
- Re-installation of the satellite radio antenna should be performed by an authorized dealer only.
- In the case of ambient temperatures below 20°C (68°F), it is required to warm the tape and mounting surface with a heater to minimum of 20°C (68°F).
- In the event the satellite radio antenna or tuner needs to be replaced, order the appropriate Satellite Radio Antenna Kit or Tuner.

## 7. STANDARD CONNECTION METHOD:



## 8. INSTALLATION OUTLINE:



# SATELLITE RADIO INSTALLATION INSTRUCTIONS

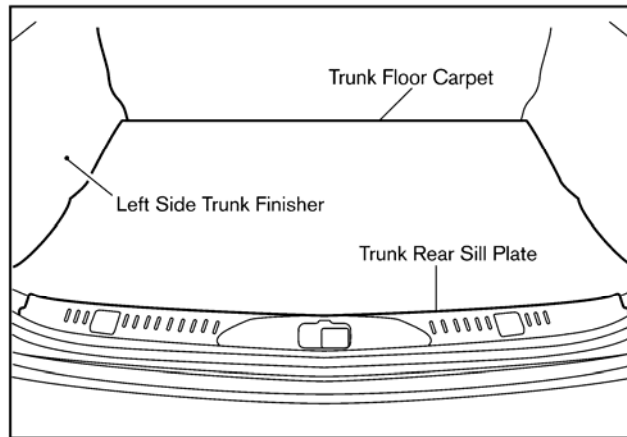
## 9. VEHICLE PREPARATION:

- 1) Record the customer radio presets.

	1	2	3	4	5	6	7
AM							
AM2							
FM1							
FM2							
FM3							

ESN number (located on tuner box)

- 2) Using the PGF stick, confirm that there is not an excessive amount of sealant under the rear window molding at the area where the antenna cable will be installed. **DO NOT** proceed to install radio if an excessive amount of sealant exists.
- 3) Apply the parking brake.
- 4) Make sure the shift lever is engaged in the P position.
- 5) Open the engine hood.
- 6) Disconnect the battery negative terminal to prevent short circuits during installation.
- 7) Open trunk lid.
- 8) Remove the following interior trim parts as shown. Refer to the vehicle service manual.
  - Trunk rear sill plate
  - Trunk floor carpet
  - Left side trunk finisher



# SATELLITE RADIO INSTALLATION INSTRUCTIONS

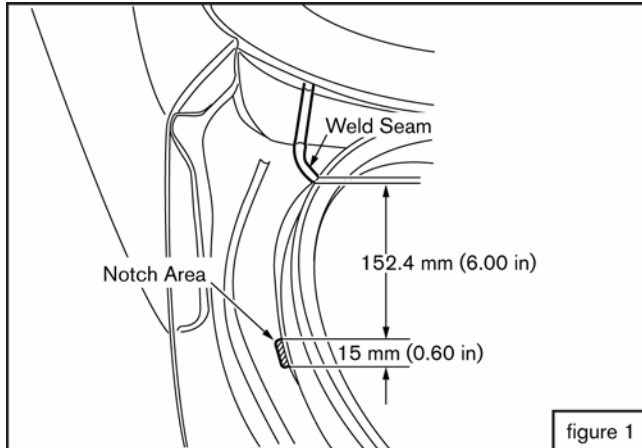
## 10. NOTCH CUTTING

### WARNING

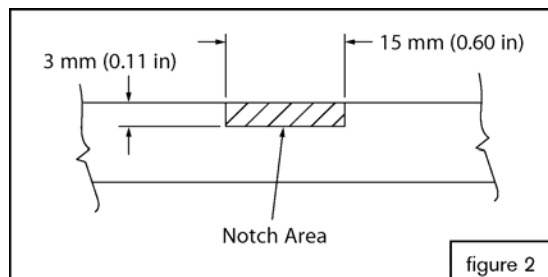
- Use eye protection

### CAUTION

- Do not damage vehicle parts during the notch cutting procedure.
- Protect the window and trim with a fender cover or similar device.



- 1) Remove weather strip at the left of the trunk.
- 2) Apply 150mm (6.0 in.) of masking tape to the vertical edge of the gutter as shown (figure 1).
- 3) Measure 152.4mm (6.00 in.) from the weld seam to the rear of the vehicle and mark the position on the masking tape with a pen as shown (figure 1).
- 4) Measure 15mm (0.60 in.) from pen mark to the rear of the vehicle, then mark position on the masking tape with pen as shown (figure 1).



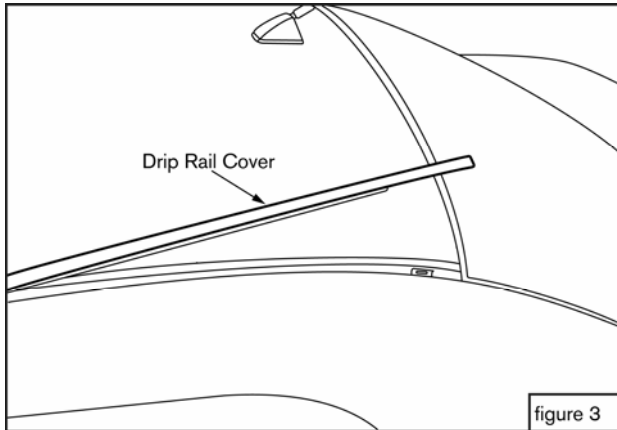
- 5) Measure 3mm (0.11 in.) down from top edge of gutter lip and make a horizontal line connecting the two pen marks. This will be the area of material that needs to be removed using the die grinder as shown (figure 2).
- 6) Cut the notch with the die grinder.
- 7) Remove the masking tape.
- 8) Remove burrs or sharp edges from the notch.
- 9) Clean away metal chips and clean gutter and notch area with 50/50 alcohol/water solution.
- 10) Apply rustproof to the cut surface.

# SATELLITE RADIO INSTALLATION INSTRUCTIONS

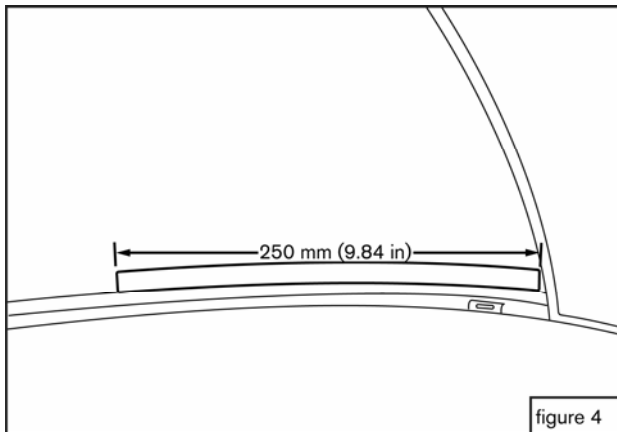
## 11. ANTENNA INSTALLATION

### CAUTION

- Be careful not to damage the antenna cable while trimming



- 1) Using the PGF stick, remove the drip rail cover from the left side of the roof as shown (figure 3).

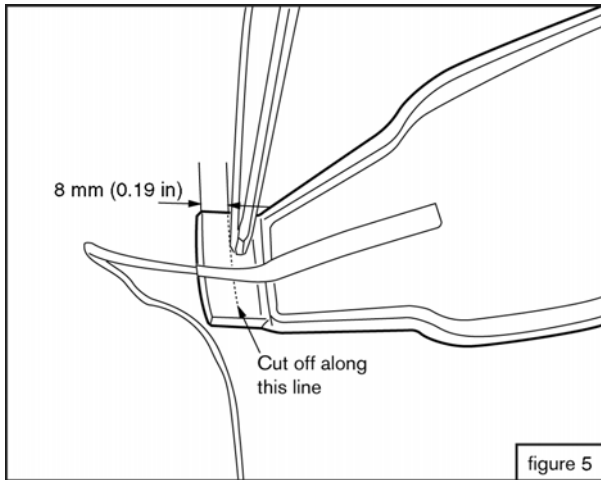


- 2) Measure 250mm from the left rear corner of the roof edge and mark with masking tape as shown (figure 4).
- 3) Clean the roof and drip rail area using a 50/50 alcohol/water solution.

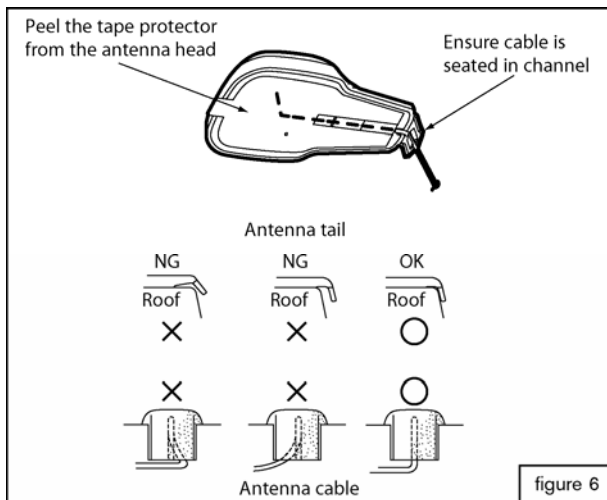
# SATELLITE RADIO INSTALLATION INSTRUCTIONS

## CAUTION

- Ensure the alignment of the rear end of the antenna tail and flap match with the edge of roof.
- Do not cut the antenna cable.



- 4) Carefully remove 8mm from the tail flap of the antenna as shown (figure 5).

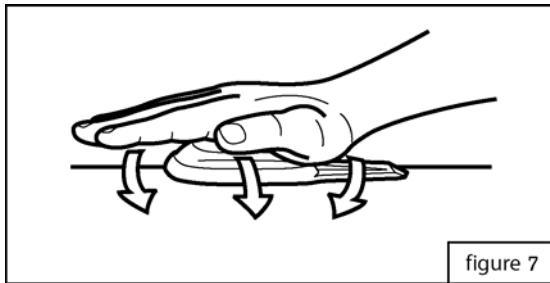


- 5) Ensure cable is seated in channel. Peel the tape protector (figure 6).

# SATELLITE RADIO INSTALLATION INSTRUCTIONS

## ⚠ CAUTION

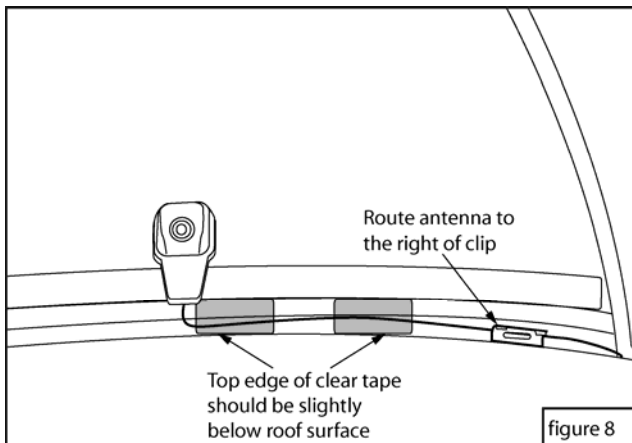
- During the antenna mounting process, make sure the rubber seal flares outward as downward force is applied.



- 6) Place the antenna and apply 20 lbs of downward force for 20 seconds while rocking hand back and forth across the top of the antenna to ensure proper adhesion (figure 7).
- 7) With hand pressure, apply downward force to the full length of the tail to assure proper adhesion.

## ⚠ CAUTION

- Do not damage the antenna cable.

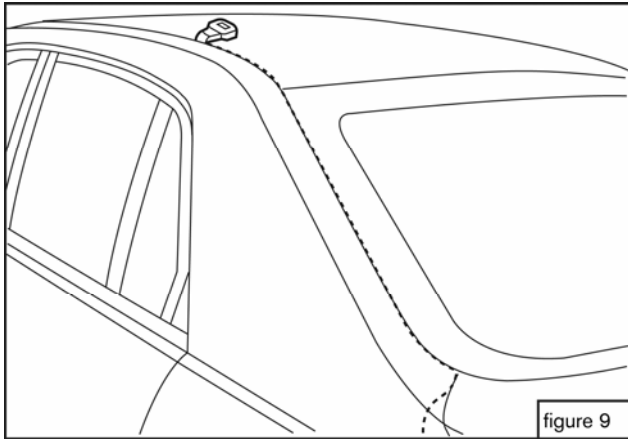


- 8) Cut two strips 20mm x 60mm (width-wise) from one piece of clear tape.
- 9) Route the antenna cable in the drip rail to the right of the clip as shown (figure 8).
- 10) Pull the antenna cable taut and apply the first strip of clear tape width wise just below the tail flap as shown (figure 8).
- 11) Apply second strip of clear tape as shown (figure 8) and reinstall the drip rail cover.

# SATELLITE RADIO INSTALLATION INSTRUCTIONS

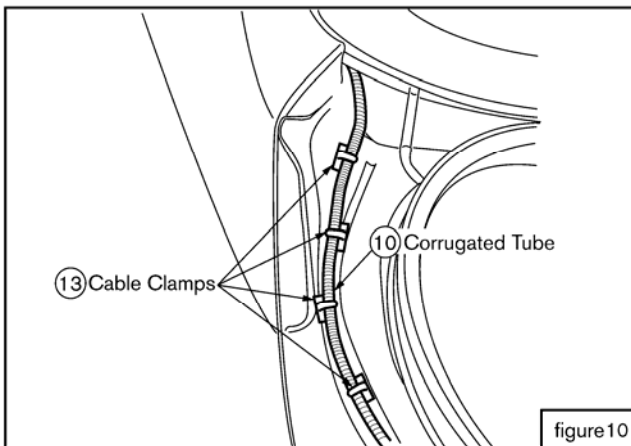
## CAUTION

- Keep the vehicle inside for at least an hour after applying the adhesive tapes.
- Avoid anything which would impose pressure on the adhered areas, including a car wash within the first 48 hours after tape/adhesive application.



12) Continue to route the antenna cable all the way along the left hand side of the rear window glass left trim piece to the bottom of the window as shown (figure 9).

13) Clean the area where the supplied cable clamps are to be installed with a 50/50 alcohol/water solution.



14) Route the antenna cable in the corrugated tubing approximately 250mm in length.

15) Secure in place by alternating the orientation of the supplied cable clamps as shown (figure 10).



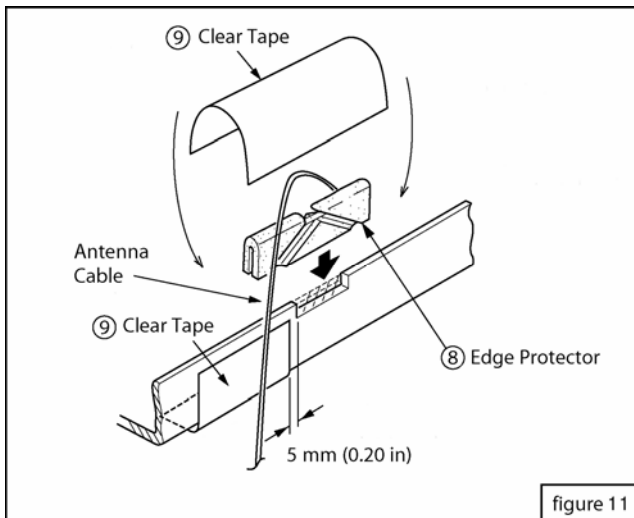
# SATELLITE RADIO INSTALLATION INSTRUCTIONS

## CAUTION

- Do not contaminate the cleaned surface before the application of clear tape in step (23).

## NOTE

- The following steps (16) to (23) are critical to avoiding a water leak, therefore must be followed strictly.



16) Clean the area where clear tape is to be applied with 50/50 alcohol/water solution. Apply clear tape to the underside of the gutter to prevent abrasion.

17) Attach the edge protector over the notch.

18) Use the alcohol wipe included in the kit to clean the surrounding area before application of the clear tape.

19) Route the antenna cable over the edge protector as shown (figure 11).

## CAUTION

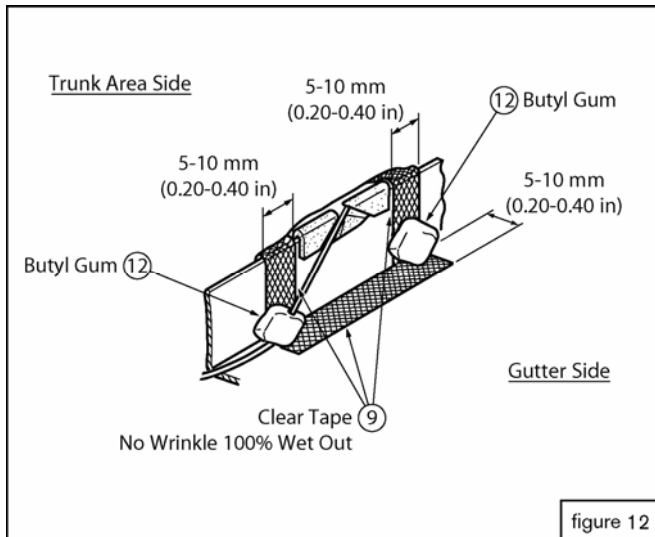
- Make sure the antenna cable is seated in the channel of the edge protector.
- Ensure the antenna cable is entering the clear tape at the radius corner.

# SATELLITE RADIO INSTALLATION INSTRUCTIONS



## CAUTION

- In order to stop water from entering the trunk through the clear tape, the clear tape must have a complete (100%) wet out (5 – 10mm [0.25 in. – 0.38 in.] on all three sides of the peripheral boundary and no wrinkle (figure 10).
- Butyl gum must be placed across the antenna cable for a good water seal.



20) To estimate the correct position for the small amount of butyl gum, position the clear tape above the notch without peeling off the liner.

21) Before applying the clear tape, apply a small amount of butyl gum to the bottom side of the antenna cable to hold the antenna cable at the radius corner where the antenna cable enters the clear tape.

22) Do not peel off the entire tape protector. Pull the clear tape protector back 10mm (0.40 in.) then apply 10mm (0.40 in.) of clear tape to the horizontal flat surface of the gutter. Slowly massage the clear tape with a PGF stick until you have reached the corners. Make sure the tape does not wrinkle when applied to the surface. Apply the same technique to the vertical surface. Fold the tape over and apply the technique once more. This should leave a smooth surface on all three sides as shown (figure 12).

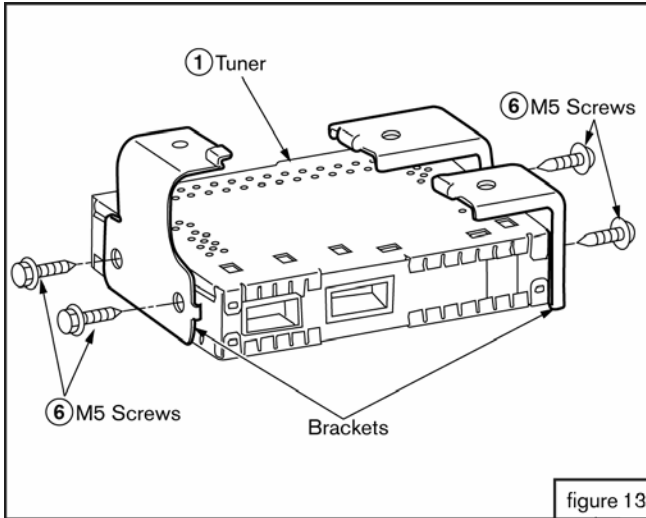
23) Apply butyl gum at both ends of the clear tape. The butyl gum should fit into both corners to cover the antenna cable and the opposite side of the clear tape as shown (figure 12).

# SATELLITE RADIO INSTALLATION INSTRUCTIONS

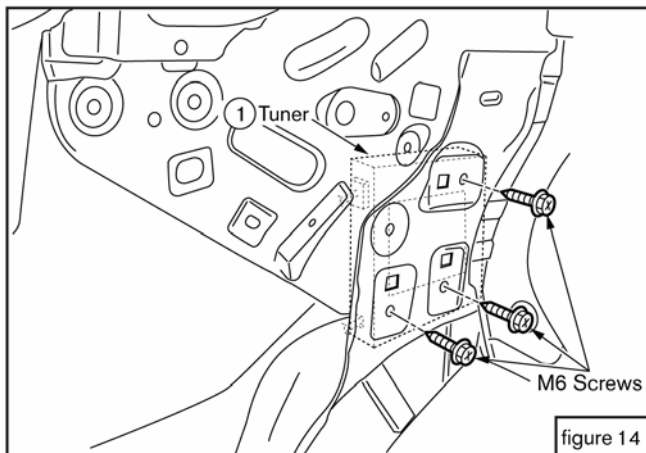
## 12. TUNER INSTALLATION

### NOTE

- Do not over torque the bracket or mounting screws.

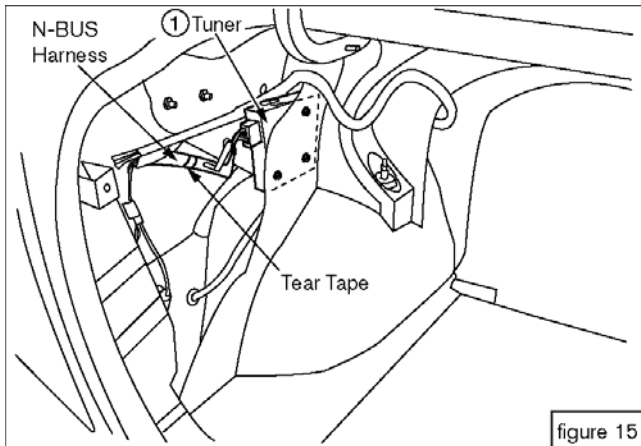


- 1) With the bracket locating tabs face up, attach the two brackets to the tuner with four M5 screws as shown (figure 13).



- 2) Position the tuner assembly in the left rear quarter panel and align the tuner mounting bracket as shown (figure 14).
- 3) Attach the tuner bracket with three M6 screws as shown (figure 14).

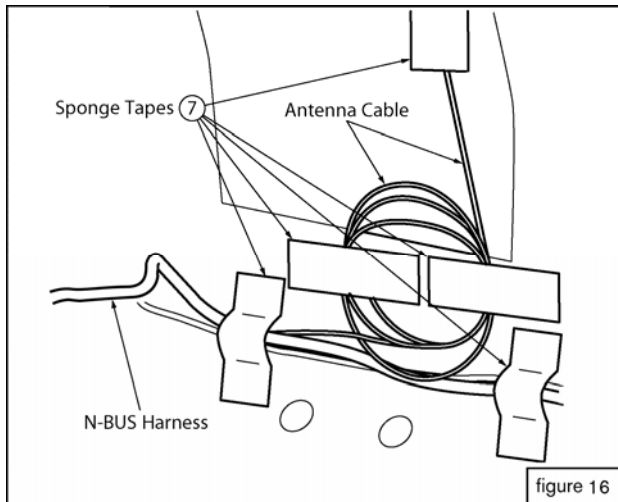
# SATELLITE RADIO INSTALLATION INSTRUCTIONS



- 4) Release the tear tape to release the pre-wired vehicle N-BUS harness as shown (figure 15).
- 5) Connect the vehicle N-BUS harness to the tuner assembly as shown (figure 15).

## CAUTION

- Do not kink the antenna cable.
- Do not change the diameter of the antenna loop.



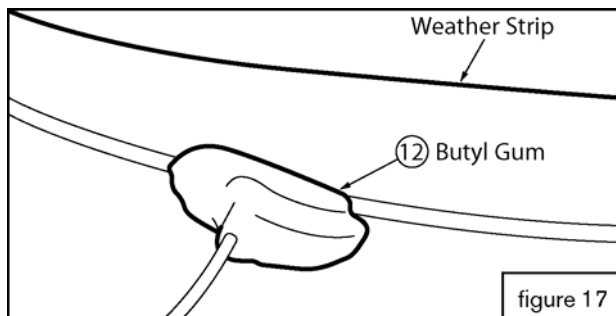
- 6) Neatly coil the excess antenna cable to create a loop 100mm (4.00 in.) in diameter as shown (figure 16).
- 7) Secure the cable loop to the fender panel with sponge tape as shown (figure 16).
- 8) Attach the antenna cable to the tuner assembly.

# SATELLITE RADIO INSTALLATION INSTRUCTIONS

## 13. OPERATIONAL CHECK

- 1) Connect the battery negative terminal.
- 2) Turn the vehicle ignition switch to the ACC position.
- 3) Turn the radio on, then select satellite radio mode. Loading (XM) or Acquiring (SIRIUS) should display for a while. If not, move the vehicle outside and try again.
- 4) Tune to the preview channel (XM: channel 1 or SIRIUS: channel 184) to make sure you are receiving the preview channel correctly.
- 5) Confirm proper audio operation (AM/FM/TAPE/CD).

## 14. REINSTALLATION OF REMOVED PARTS



- 1) Reinstall all removed vehicle parts. Refer to the service manual for the vehicle as necessary.
- 2) After reinstalling the weather stripping, spread butyl gum over the antenna cable and weather stripping to close any gaps and improve the seal (figure 17).
- 2) Be sure to engage all the clips on the parcel trunk finisher.
- 3) Clean the vehicle interior.

## 15. FINAL INSPECTION

- 1) Inspect the vehicle interior and exterior for damage.
- 2) Confirm proper operation of the vehicle systems.
- 3) Reset the radio presets to the recorded settings.
- 4) If equipped, verify proper sunroof operation and perform the reset procedure if necessary. Refer to Service Manual requirements.