



GENUINE PARTS

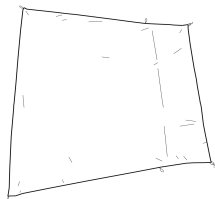


INSTALLATION INSTRUCTIONS

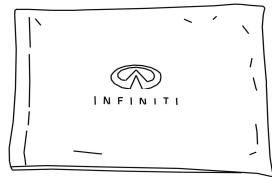
DESCRIPTION:	Rear Cargo Cover
APPLICATION:	Infiniti JX35 / Nissan Pathfinder
PART NUMBER:	999N3 RZ000 (Rear Cargo Cover w/Infiniti Bag) 999N3 XZ000 (Rear Cargo Cover w/Nissan Bag)

KIT CONTENTS:

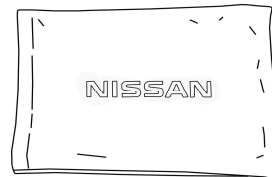
Item	Qty.	Part Description	Service Part Number
	1	Rear Cargo Cover	999N3 RZ000
A	1	Rear Cargo Cover	999N3 RZ001
B	1	Storage Bag (Infiniti)	---
D	1	Installation Instructions Replacement Template	999V2 AW000
	1	Rear Cargo Cover	999N3 XZ000
A	1	Rear Cargo Cover	999N3 RZ001
C	1	Storage Bag (Nissan)	---
D	1	Installation Instructions Replacement Template	999V2 AW000



A



B



C



D

TOOLS REQUIRED:

- No tools required.

PRE-INSTALLATION WARNINGS, CAUTIONS, CRITICAL STEPS, and NOTES:

- Cover is not intended for objects to be placed on top.

NOTE:

Take proper care to install cargo cover with the correct mounting locations as shown. Using incorrect attachment locations could result in damage to the vehicle.

⚠ WARNING

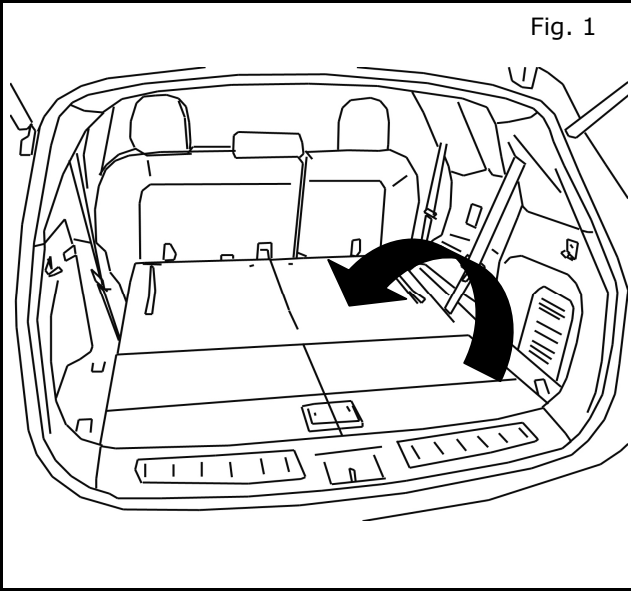
Your cargo cover is designed to cover normal cargo contents. Flammable or dangerous materials should not be transported in your vehicle at any time.

⚠ CAUTION

Cargo cover does not provide load restraint.

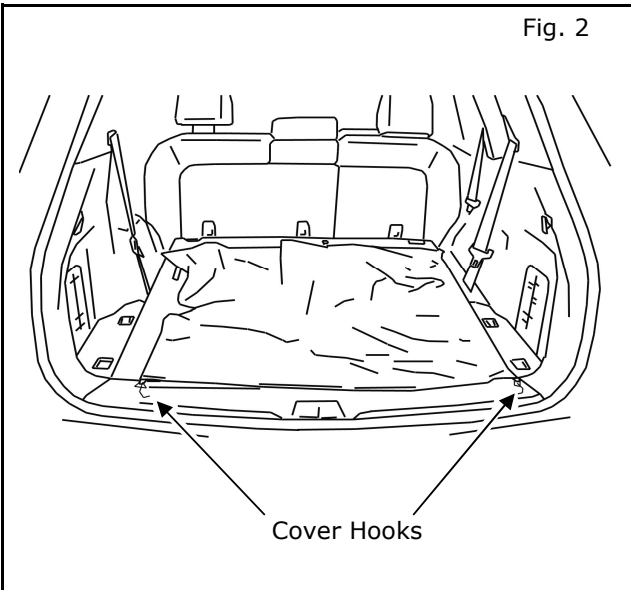
INSTALLATION PROCEDURE:

Fig. 1



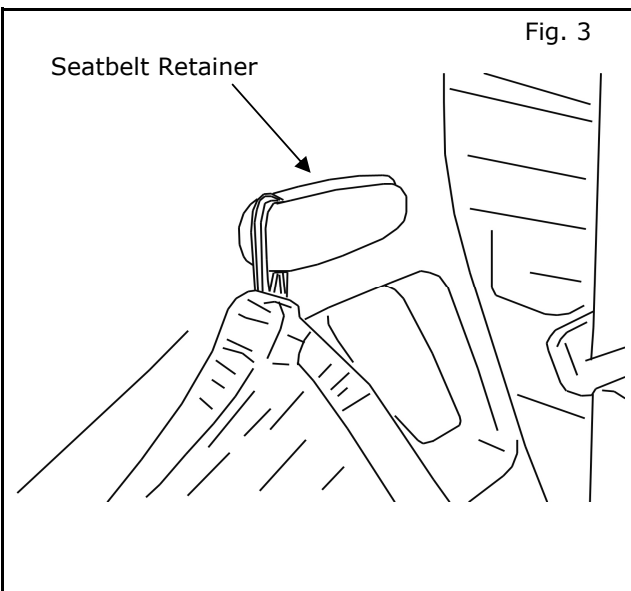
- 1) Fold down headrests and 3rd row seats. See Fig. 1.

Fig. 2



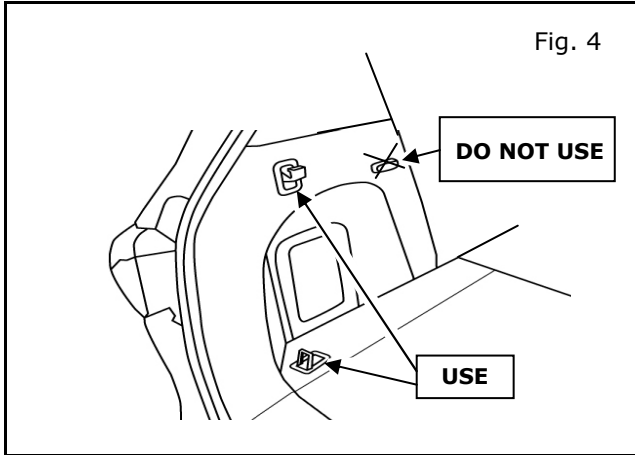
- 2) Unfold cover in cargo area, keeping hooks towards rear of vehicle. See Fig. 2.

Fig. 3



- 3) Attach loop at front of cover to seatbelt retainers just behind rear door on driver's side. See Fig. 3.
- 4) Repeat step 3 for passenger side.

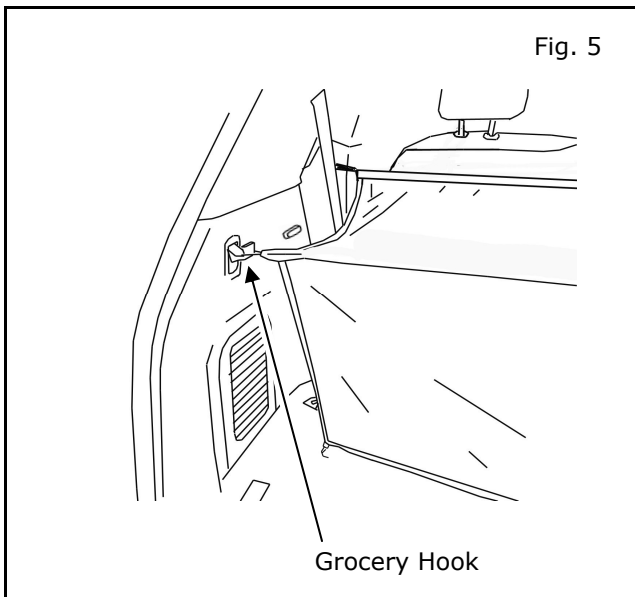
INSTALLATION PROCEDURE:



- 5) In rear cargo area, locate rear clips points as shown in Fig. 4.

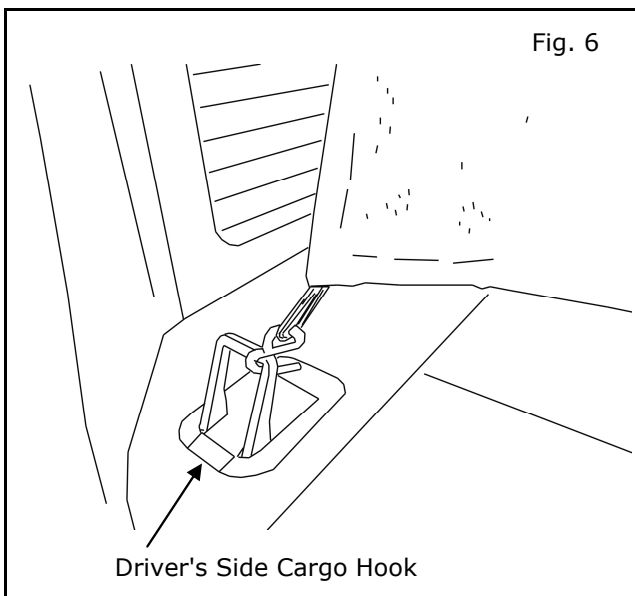
NOTE:

- Do not use clip location as shown. Damage to the vehicle may occur.



- 6) Attach middle loop to grocery hook at rear of vehicle on driver's side. See Fig. 5.

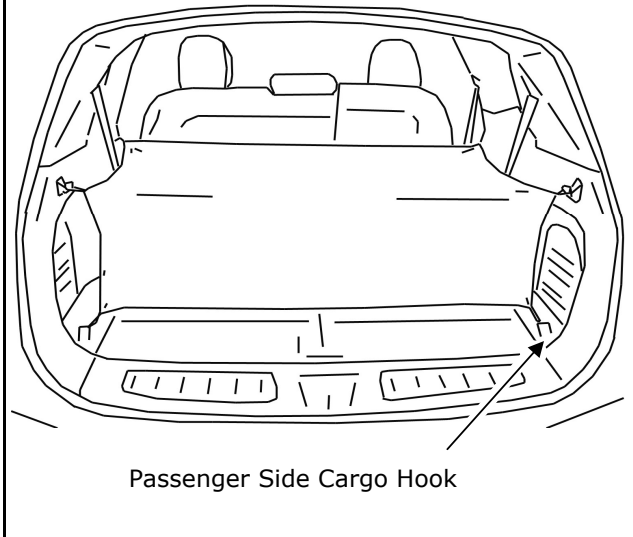
- 7) Repeat step 6 for passenger side.



- 8) Attach hook at bottom of cover to rear cargo hook on floor of driver's side. See Fig. 6.

INSTALLATION PROCEDURE:

Fig. 7



- 9) Repeat step 8 for passenger side. See Fig. 7.