



# GENUINE PARTS

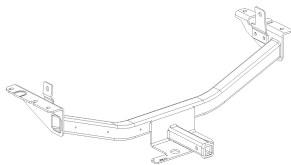
## INSTALLATION INSTRUCTIONS

<b>DESCRIPTION:</b>	Tow Hitch Kit
<b>APPLICATION:</b>	Rogue (2014)
<b>PART NUMBER:</b>	Tow Hitch Receiver (999T5 G2100) Installation of this accessory requires installation of additional Nissan genuine part(s): <ul style="list-style-type: none"> <li>• Wire Harness (999T8 GU000)</li> <li>• Class I Hitch Ball (999T5 VT010)</li> </ul>

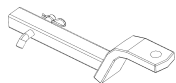
Note: Wire Harness Pre-wiring is not standard. Please check the Accessory Application Chart at your local dealership to determine vehicle application.

**KIT CONTENTS:**

Item	Qty.	Part Description	Service Part Number
A	1	Tow Hitch Receiver	999T5 G2010
B	1	Ball Mount Kit	999T5 G2150
C	7	M12 X 1.25MM X 30MM HVY HEX BOLT WITH FLANGE	81-B7230-2A
D	1	M12 X 1.25MM X 35MM HVY HEX BOLT WITH FLANGE	81-B7235-5M
E	1	Hitch Cap	999T5 G2180
F	1	M12 Washer (Used only on 2WD unit)	N/A
G	1	Installation Instruction Replacement Template	999V2 AW000



A



B



C & D



E



(2WD)  
F



G

<b>TOOLS REQUIRED:</b>	<ul style="list-style-type: none"> <li>• Socket Wrench</li> <li>• 9" Socket Extension</li> <li>• 17mm Socket</li> </ul>	<ul style="list-style-type: none"> <li>• 19mm Socket</li> <li>• Torque Wrench</li> <li>• Safety Glasses</li> </ul>
------------------------	---	--

**PRE-INSTALLATION WARNINGS, CAUTIONS, CRITICAL STEPS, and NOTES:**

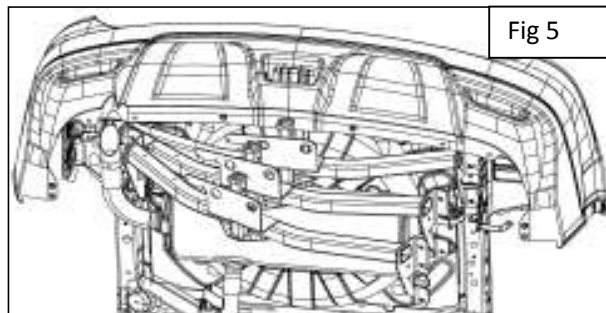
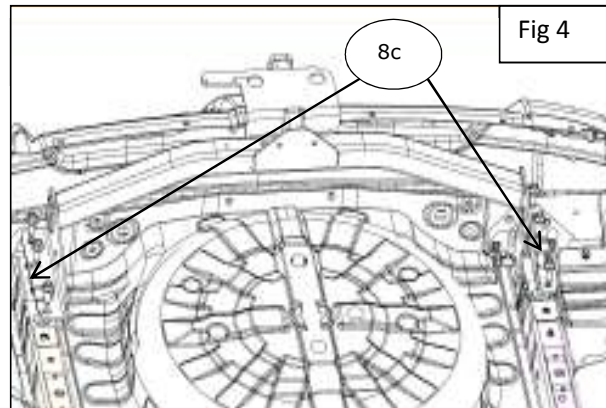
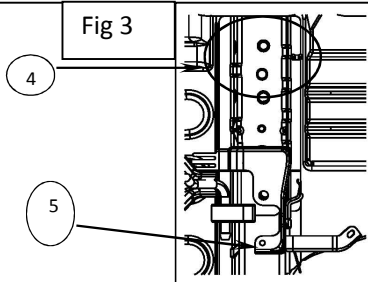
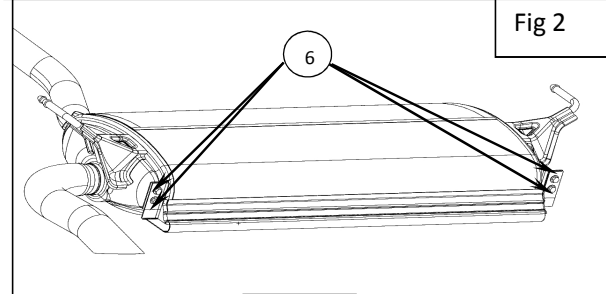
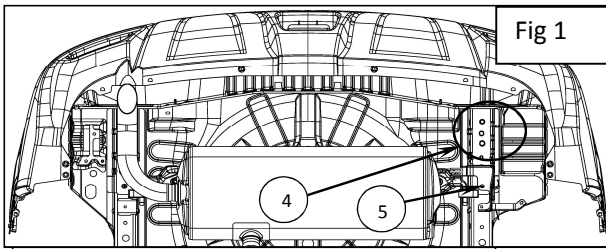
- Dealer Installation Recommended.
- This product complies with SAE J684 V-1

**HITCH CAPACITY**  
**MAX GROSS TRAILER WEIGHT: 1,000 LBS (453KG)**  
**MAX TONGUE LOAD: 100 LBS (45 KG)**

### CAUTION

- See owners manual for vehicle towing rating.
- Make sure that vehicle back door is closed before beginning.
- Be careful of sharp edges and hanging components when under vehicle.
- Bolts must be tightened according to the specified torque values.

## INSTALLATION PROCEDURE:



- 1) Raise and secure vehicle on lift.
- 2) Wait until muffler is no longer hot.
- 3) Remove protective cover from fascia 5 clips (each side).
- 4) Remove factory tow hook shown in Fig 1 and Fig 3 (if Installed)
- 5) Remove center bolt from evap canister shown in Fig 1 and Fig 3
- 6) Remove Muffler diffuser bracket from muffler as shown in Fig 2 (4 bolt attachment)

### **⚠ WARNING**

Metal brackets on both sides of muffler have very sharp edges and corners. To avoid injury, exercise extreme caution while installing the trailer hitch.

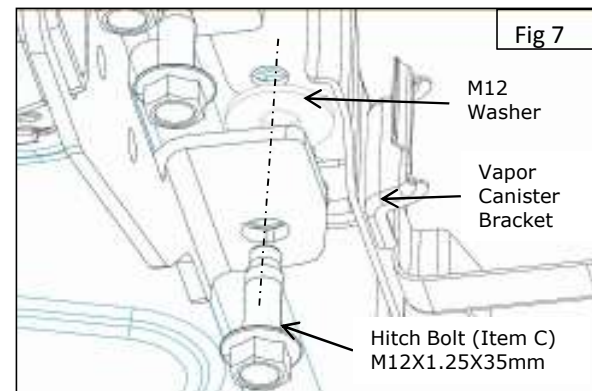
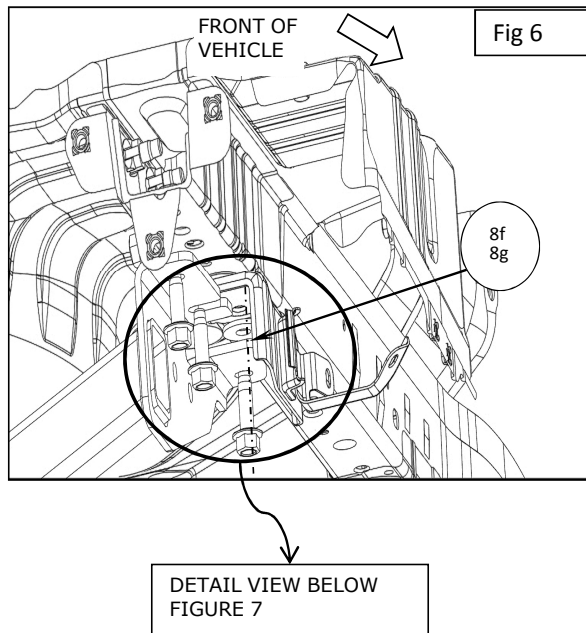
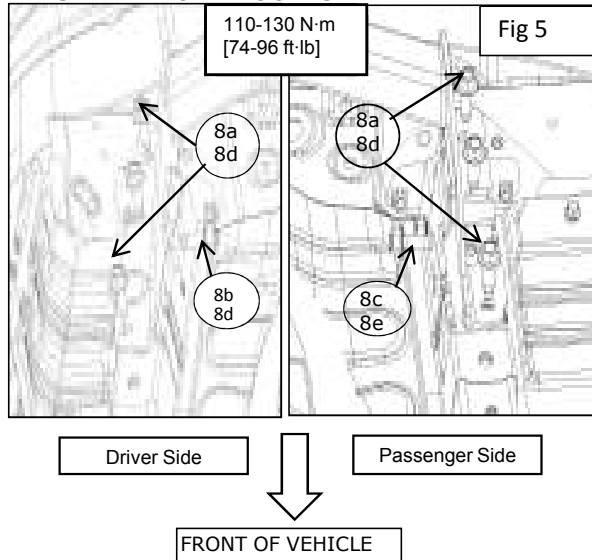
### **⚠ CAUTION**

M12 washer req'd on passenger side forward attachment for two-wheel drive (2WD) vehicles as shown in Fig 3. Washer not used for four-wheel drive (4WD) vehicles. (See Figures 6 & 7 for detailed instruction)

**For information only at this point.**

- 7) Raise hitch into position (Requires two persons)
  - a) Rotate the hitch and move the driver side mount bracket under the tailpipe, aligning the slot to the bolt as shown in Fig 4.
  - b) Move the passenger side mount bracket into position and align the hitch with holes in vehicle frame.
  - c) Install 1 fastener into slotted hole on (driver & passenger) side as shown in Fig 3.
  - d) Hand tighten both fasteners.

**INSTALLATION PROCEDURE:**



- 8) Fasten trailer hitch to body rails using supplied fasteners.
  - a) Install 2 additional bolts (RH&LH) to secure hitch to vehicle shown in Fig 5, hand tightening.
  - b) If vehicle is a two wheel drive application, refer to step (f) and (g) before proceeding to step c.
  - c) Install 2 additional bolt (RH&LH) to secure hitch to vehicle shown in Fig 5.
  - d) Using a torque wrench, tighten 6 bolts to the bottom floor surface to 100-130 N.m [74-96 ft.lb] shown in Fig 5.
 

**ALL WHEEL DRIVE VEHICLES PROCEED TO STEP 9.**
  - e) Loosely secure 5 bolts to the bottom floor surface.
 

**TWO WHEEL DRIVE VEHICLES ONLY PROCEED TO STEPS F & G.**

**CAUTION**

Insure using item -C- (M12X35mm long) bolt in this location. Failure to use the proper bolt might cause fastener to come loose during operation.  
**(Two wheel drive vehicles only)**

- f) Insert spacer/washer (Item E) between hitch mount bracket and canister bracket.  
**(Two wheel drive vehicles only)**
- g) Line up all three holes (hitch bracket, spacer and canister bracket) then insert one M12 bolt (item C) through all three holes.  
**(two wheel drive vehicles only)**  
 See fig 7.
- h) Using a torque wrench, tighten 6 bolts as indicated in step (9b).
- 9) Install wire harness per harness installation instructions.
- 10) Check hitch for proper installation.
- 11) Reinstall protective fascia cover 5 clips each side.
- 12) Lower and remove vehicle from lift.
- 13) Install hitch cap.

**CAUTION**

Do not re-install muffler diffuser bracket after hitch installation is complete.

## Installation Procedure:

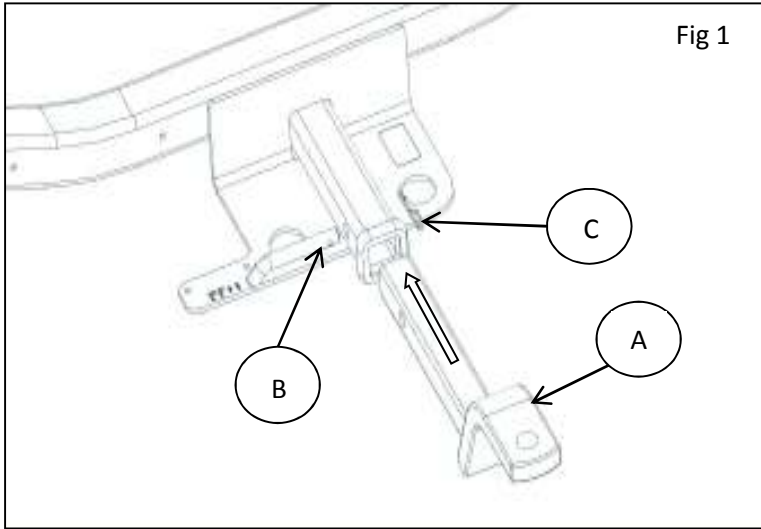


Fig 1

## Ball Mount Kit Installation Procedure.

- 1) Insert ball mount A into receiver opening.  
As shown in Fig 1.
- 2) Align holes on receiver tube with holes on ball mount and slide pin B through opening.
- 3) Insert clip C through holes in pin.  
Make sure that clip is securely fastened.